

From the Founder&Managing Director
Haluk Karaoguz

PROMEDI SECURITY XRAY IMAGING SYSTEMS

Greetings from PROMEDI Ltd, Istanbul, Turkey

We are pleased to inform you that we are the authorized sales agent of X-Ray Center-Türkiye, the only innovative handful of manufacturers in the entire world who produces x-ray screening systems that have been tested and approved by the United States Transportation Security Administration (TSA) and the European Civil Aviation Conference (ECAC). TSA and ECAC employ the highest testing standards in our industry to ensure the protection of the world's air transportation systems.

You can see below relevant technical information. along with images,including , including a tunnel type baggage disinfection system that eliminates 99.99% of SARS-CoV-2 and other viruses and 99.9% of bacterial pathogens has been added to our portfolia in 2020.Our Xray series are in accordance with all international safety regulations including TSA -USA and CE requirements, USFDA certifications, and ISO 9001:2008.

Some of our references that our Xray machines used are “Tokyo Olympics 2020, Delta Airlines, Istanbul Airport, Istanbul Sabiha Gokcen Airport, Santiago Airport, Turkish Airlines, MNG Cargo, MNG Airlines.We can supply the items for your airports and/or any places needed.

Should you have anyfurther questions, please feel free to contact us.

Best regards,

Haluk Karaoguz
Founder & Managing Director



1

PROMEDİ DIŞ TİCARET LTD ŞTİ

HQ:Yıldız Caddesi,Sungurlar İş Merkezi 45/1,Beşiktaş,Istanbul-Turkey, 34353
Phones: +90-212 259 2254 Faxes: +90-212 261 6339, Cell: +90-532 446 2929
e-mail: halukpromedi@gmail.com , haluk@promedi.biz, promedi@superonline.com
V.D. BEŞİKTAŞ 733 010 4891, www.promedi.biz

Branch: Free Trade Zone Istanbul Ataturk Airport:www.isbi.com.tr

Istanbul İhtisas Serbest Bölgesi,
Yesilkoy SB Mah,ISBI Plaza A Blok No:1127, Bakirkoy,Istanbul,Turkey 34149

SMALL PARCEL & BAGGAGE

XRC 50-30P



PHYSICAL PROPERTIES

Tunnel Size (W x H)	: 530 mm x 330 mm : 20,86 in x 12,99 in
Dimensions (L x H x W)	: 1265 mm x 1150 mm x 760 mm : 49,80 in x 45,27 in x 29,92 in
Approx. Weight Unpacked	: ~355 kg (781 lbs.)
Conveyor Height	: 700 mm (27,55 in)
Conveyor Load Capacity	: 165 kg (364 lbs.) Evenly Distributed
System Power	: 110/220V AC \pm 10% 50/60 Hz
Conveyor Speed	: 0,20 m/sec. Forward or Reverse

XRC 50-30



PHYSICAL PROPERTIES

Tunnel Size (W x H)	: 550 mm x 350 mm : 21,65 in x 13,78 in
Dimensions (L x H x W)	: 1700 mm x 1200 mm x 810 mm : 66,93 in x 47,24 in x 31,89 in
Approx. Weight Unpacked	: ~415 kg (915 lbs.)
Conveyor Height	: 730mm (28,74 in)
Conveyor Load Capacity	: 165 kg (364 lbs.) Evenly Distributed
System Power	: 110/220V AC \pm 10% 50/60 Hz
Conveyor Speed	: 0,20 m/sec. Forward or Reverse

XRC 60-40P



PHYSICAL PROPERTIES

Tunnel Size (W x H)	: 610 mm x 420 mm : 24,02 in x 16,54 in
Dimensions (L x H x W)	: 1472 mm x 1270 mm x 870 mm : 57,95 in x 50 in x 34,25 in
Approx. Weight Unpacked	: ~455 kg (1003 lbs.)
Conveyor Height	: 730 mm (28,74 in)
Conveyor Load Capacity	: 165 kg (364 lbs.) Evenly Distributed
System Power	: 110/220V AC \pm 10% 50/60 Hz
Conveyor Speed	: 0,20 m/sec. Forward or Reverse

PROMEDI DIŐ TİCARET LTD ŐTİ

HQ:Yıldız Caddesi,Sungurlar İŐ Merkezi 45/1,BeŐiktaŐ,İstanbul-Turkey, 34353
Phones: +90-212 259 2254 Faxes: +90-212 261 6339, Cell: +90-532 446 2929
e-mail: halukpromedi@gmail.com , haluk@promedi.biz , promedi@superonline.com

V.D. BEŐİKTAŐ 733 010 4891, www.promedi.biz

Branch: Free Trade Zone Istanbul Ataturk Airport:www.isbi.com.tr

İstanbul İhtisas Serbest Bolgesi,
Yesilkoy SB Mah,ISBI Plaza A Blok No:1127, Bakirkoy,İstanbul,Turkey 34149

From the Founder&Managing Director
Haluk Karaoguz

XRC 60-40

PHYSICAL PROPERTIES

Tunnel Size	: 610 mm x 440 mm
(W x H)	: 24,02 in x 17,32 in
Dimensions	: 2080 mm x 1370 mm x 870 mm
(L x H x W)	: 81,89 in x 53,94 in x 34,25 in
Approx. Weight Unpacked	: ~540 kg (1190 lbs.)
Conveyor Height	: 810mm (31,89 in)
Conveyor Load Capacity	: 165 kg (364 lbs.) Evenly Distributed
System Power	: 110/220V AC \pm 10% 50/60 Hz
Conveyor Speed	: 0,20 m/sec. Forward or Reverse



XRC 60-40DV

PHYSICAL PROPERTIES

Tunnel Size	: 610 mm x 420 mm
(W x H)	: 24,02 in x 16,54 in
Dimensions	: 2220 mm x 1370 mm x 1270 mm
(L x H x W)	: 87,40 in x 53,94 in x 50 in
Approx. Weight Unpacked	: ~725kg (1598 lbs.)
Conveyor Height	: 810 mm (31,89 in)
Conveyor Load Capacity	: 165 kg (364 lbs.) Evenly Distributed
System Power	: 110/220V AC \pm 10% 50/60 Hz
Conveyor Speed	: 0,20 m/sec. (+/- 20%) Forward or Reverse



XRC 65-45

PHYSICAL PROPERTIES

Tunnel Size	: 650 mm x 460 mm
(W x H)	: 25,59 in x 18,11 in
Dimensions	: 2050 mm x 1300 mm x 895 mm
(L x H x W)	: 80,71 in x 51,18 in x 35,24 in
Approx. Weight Unpacked	: ~525 kg (1157 lbs.)
Conveyor Height	: 720mm (28,35 in)
Conveyor Load Capacity	: 165 kg (364 lbs.) Evenly Distributed
System Power	: 110/220V AC \pm 10% 50/60 Hz
Conveyor Speed	: 0,20 m/sec. Forward or Reverse



PROMEDI DIŐ TİCARET LTD ŐTİ

HQ:Yıldız Caddesi,Sungurlar İŐ Merkezi 45/1,BeŐiktaŐ,İstanbul-Turkey, 34353

Phones: +90-212 259 2254 Faxes: +90-212 261 6339, Cell: +90-532 446 2929

e-mail: halukpromedi@gmail.com , haluk@promedi.biz , promedi@superonline.com

V.D. BEŐİKTAŐ 733 010 4891, www.promedi.biz

Branch: Free Trade Zone Istanbul Ataturk Airport:www.isbi.com.tr

Istanbul İhtisas Serbest Bolgesi,

YeŐilkoy SB Mah,ISBI Plaza A Blok No:1127, Bakirkoy,İstanbul,Turkey 34149

From the Founder&Managing Director
Haluk Karaoguz

XRC 65-85



PHYSICAL PROPERTIES

Tunnel Size (W x H)	: 665 mm x 865 mm
Dimensions (L x H x W)	: 26,18 in x 34,06 in
Approx. Weight Unpacked	: 3090 mm x 1305 mm x 1475 mm
Conveyor Height	: 121,65 in x 51,38 in x 58,07 in
Conveyor Load Capacity	: ~760 kg (1676 lbs.)
System Power	: 290 mm (11,42 in)
Conveyor Speed	: 200 kg (441 lbs.) Evenly Distributed
	: 110/220V AC ± 10% 50/60 Hz
	: 0,20 m/sec. Forward or Reverse

XRC 75-55



PHYSICAL PROPERTIES

Tunnel Size (W x H)	: 755 mm x 555 mm
Dimensions (L x H x W)	: 29,72 in x 21,85 in
Approx. Weight Unpacked	: 2180 mm x 1480 mm x 1030 mm
Conveyor Height	: 85,83 in x 58,27 in x 40,55 in
Conveyor Load Capacity	: ~635 kg (1400 lbs.)
System Power	: 810mm (31,89 in)
Conveyor Speed	: 165 kg (364 lbs.) Evenly Distributed
	: 110/220V AC ± 10% 50/60 Hz
	: 0,20 m/sec. Forward or Reverse

XRC 75-55DV

PHYSICAL PROPERTIES

Tunnel Size (W x H)	: 755 mm x 555 mm
Dimensions (L x H x W)	: 29,72 in x 21,85 in
Approx. Weight Unpacked	: 2430 mm x 1500 mm x 1500 mm
Conveyor Height	: 95,67 in x 59,06 in x 59,06 in
Conveyor Load Capacity	: ~860kg (1896 lbs.)
System Power	: 810 mm (31,89 in)
Conveyor Speed	: 165 kg (364 lbs.) Evenly Distributed
	: 110/220V AC ± 10% 50/60 Hz
	: 0,20 m/sec. Forward or Reverse



PROMEDI DIŐ TİCARET LTD ŐTİ

HQ:Yıldız Caddesi,Sungurlar İŐ Merkezi 45/1,BeŐiktaŐ,İstanbul-Turkey, 34353
Phones: +90-212 259 2254 Faxes: +90-212 261 6339, Cell: +90-532 446 2929
e-mail: halukpromedi@gmail.com , haluk@promedi.biz , promedi@superonline.com

V.D. BEŐİKTAŐ 733 010 4891, www.promedi.biz

Branch: Free Trade Zone Istanbul Ataturk Airport:www.isbi.com.tr

İstanbul İhtisas Serbest Bolgesi,
YeŐilkoy SB Mah,ISBI Plaza A Blok No:1127, Bakirkoy,İstanbul,Turkey 34149

From the Founder&Managing Director
Haluk Karaoguz

XRC 50-30SE

The XRC 50-30SE is one of the smallest tunnel sizes of the XRC baggage and parcel product range. It detects inorganic objects and provides an excellent image in an economical single energy (SE-Single Energy) diode array platform. It is a preferred model for locations with limited operating space.

Small handbags, packages parcels and cabin baggage are suitable for scanning. Institutions ensure that packages are inspected in places where inspection is required, such as courts, police departments, offices, shopping malls, prisons and hotels.

X-RAY GENERATOR & IMAGE PERFORMANCE

Steel Penetration †	: 10 mm guaranteed; 12 mm typical
Wire Resolution †	: 38 AWG guaranteed; 40 AWG typical
Anode Voltage	: 100kV, operating at 90kV
Tube Current	: 0,5 mA
Beam Direction	: Vertically upward
Article Separation	: Low Z, Medium Z, High Z to 0,5 Z Accuracy
Cooling	: Oil and forced air cooling

COMPUTER SPECIFICATIONS

Processor	: Intel® Core™ i5 (or superior)
Monitor	: 21,5" Flat (or superior)
Memory	: 4 GB RAM (or superior)
Video Card	: 2 GB (or superior)
Hard Drive	: 1 TB (or superior)
USB Port	: 6 port (or superior)
Operating System	: Linux

OPTIONAL FEATURES

Barcode Reader System
External Camera Archiving
Remote Viewing Station
Recheck Station
Network Supervisory System (NSS)
Remote Access Connection
Smart Card Login

STANDARD FEATURES

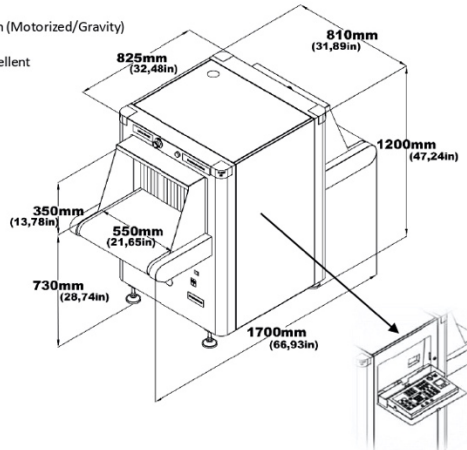
Programmable Function Keys
Parcel Counter
Date and Time Display
Virtual Threat Image Projection (TIP)
Inorganic Threat Alarm
Operator Training Program (OTP)
UPS (For Computer Supply)
Multi Languages
Self Diagnosis
Generator Timer
Automatic Stop Conveyor

OPTIONAL ACCESSORIES

External UPS (For system)
Operator Console (Open-Closed/Adjustable/I-stand)
21,5"- 27" Flat Monitor
Input / Output Rollers
Test Kit (STP/ASTM)
Protective Cover
Search Table
Tray Return System (Motorized/Gravity)
Inclined Conveyor
Ultrasonic Rat Repellent
Radiation Meter

STANDARD IMAGE PROCESSING FEATURES

Perfect View (Detail Enhancement) (PV)
Edge Enhancement (EE)
Pseudo Color (PS)
Inorganic Materials (IM)
Black & White (B/W)
Inverse Colors (IN)
High Penetration (HP)
Variable Edge Enhancement (+E-E)
Variable Density (+D-D)
Variable Gamma (+G-G)
Variable Color Separation (+C-C)
Zoom (64x)
Sniper Zoom
Recall Previous Images
Manual/Automatic Archive
Annotated Archive
Multi Energy Viewer (4 – 6 Color)
Atomic Number Display (Z Value)



The keyboard can be produced optionally as integrated into the device.

PROMEDI DIŞ TİCARET LTD ŞTİ

HQ:Yıldız Caddesi,Sungurlar İş Merkezi 45/1,Beşiktaş,İstanbul-Turkey, 34353

Phones: +90-212 259 2254 Faxes: +90-212 261 6339, Cell: +90-532 446 2929

e-mail: halukpromedi@gmail.com , haluk@promedi.biz, promedi@superonline.com

V.D. BEŞİKTAŞ 733 010 4891, www.promedi.biz

Branch: Free Trade Zone Istanbul Ataturk Airport:www.isbi.com.tr

Istanbul İhtisas Serbest Bölgesi,

Yeşilkoy SB Mah,ISBI Plaza A Blok No:1127, Bakirkoy,İstanbul,Turkey 34149

From the Founder&Managing Director
Haluk Karaoguz

XRC 50-30 (100kV)

With the help of 100kV generator power, this model x-ray baggage scanner facilitates the operators use thanks to the various image processing functions, hazard alarm, advanced computer technology and the best in class software. XRC 50-30 enables easy identification of potentially threatening objects such as cutting tools, explosives narcotics and minimizes the error rate. Thanks to its multi-diode structure and quality in imaging of scanned objects, image is colored based on density and shows organic, inorganic and mixed materials in different tones. XRC 50-30 is a preferred model for locations with limited operating space. It is designed with the latest technology to scan small handbags, packages, parcels and cabin baggage in detail. It is an efficient and a powerful x-ray scanning device that allows inspection in courts, police departments, offices, shopping malls, prisons and hotels.

X-RAY GENERATOR & IMAGE PERFORMANCE

Steel Penetration ¹	: 10 mm guaranteed; 12 mm typical
Wire Resolution ¹	: 38 AWG guaranteed; 40 AWG typical
Anode Voltage	: 100kV, operating at 90kV
Tube Current	: 0,5 mA
Beam Direction	: Vertically upward
Article Separation	: Low Z, Medium Z, High Z to 0,5 Z Accuracy
Cooling	: Oil and forced air cooling

COMPUTER SPECIFICATIONS

Processor	: Intel® Core™ i5 (or superior)
Monitor	: 21,5" Flat (or superior)
Memory	: 4 GB RAM (or superior)
Video Card	: 2 GB (or superior)
Hard Drive	: 1 TB (or superior)
USB Port	: 6 port (or superior)
Operating System	: Linux

OPTIONAL FEATURES

Barcode Reader System
External Camera Archiving
Remote Viewing Station
Recheck Station
Network Supervisory System (NSS)
Remote Access Connection
Smart Card Login

STANDARD FEATURES

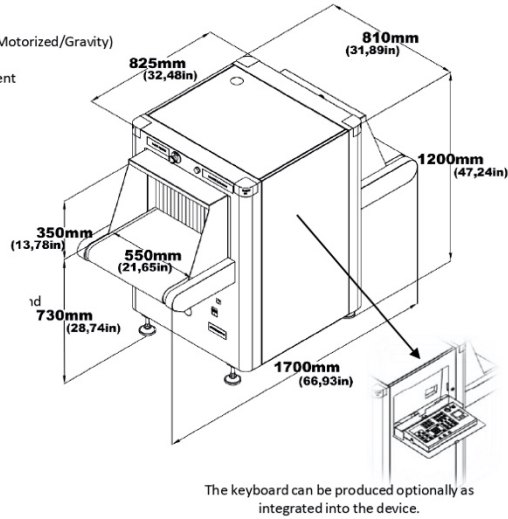
Programmable Function Keys
Parcel Counter
Date and Time Display
Virtual Threat Image Projection (TIP)
Inorganic Threat Alarm
Operator Training Program (OTP)
UPS (For Computer Supply)
Multi Languages
Self Diagnosis
Generator Timer
Automatic Stop Conveyor

OPTIONAL ACCESSORIES

External UPS (For system)
Operator Console (Open-Closed/Adjustable/I-stand)
21,5" - 27" Flat Monitor
Input / Output Rollers
Test Kit (STP/ASTM)
Protective Cover
Search Table
Tray Return System (Motorized/Gravity)
Inclined Conveyor
Ultrasonic Rat Repellent
Radiation Meter

STANDARD IMAGE PROCESSING FEATURES

Perfect View (Detail Enhancement) (PV)
Edge Enhancement (EE)
Pseudo Color (PS)
Organic Materials (OM)
Inorganic Materials (IM)
Black & White (B/W)
Inverse Colors (IN)
High Penetration (HP)
Variable Edge Enhancement (+E -E)
Variable Density (+D -D)
Variable Gamma (+G -G)
Variable Color Separation (+C -C)
Zoom (64x)
Sniper Zoom
Recall Previous Images
Manual/Automatic Archive
Annotated Archive
Multi Energy Viewer (4 - 6 Color)
Atomic Number Display (Z Value)



PROMEDI DIŐ TİCARET LTD ŐTİ

HQ:Yıldız Caddesi,Sungurlar İő Merkezi 45/1,Beőiktaő,İstanbul-Turkey, 34353

Phones: +90-212 259 2254 Faxes: +90-212 261 6339, Cell: +90-532 446 2929

e-mail: halukpromedi@gmail.com , haluk@promedi.biz, promedi@superonline.com

V.D. BEŐİKTAŐ 733 010 4891, www.promedi.biz

Branch: Free Trade Zone Istanbul Ataturk Airport:www.isbi.com.tr

Istanbul İhtisas Serbest Bolgesi,

Yesilkoy SB Mah,ISBI Plaza A Blok No:1127, Bakirkoy,Istanbul,Turkey 34149

From the Founder&Managing Director
Haluk Karaoguz

XRC 50-30P (170kV)

XRC 50-30P x-ray device facilitates the operators use thanks to the various image processing functions, hazard alarm, advanced computer technology and the best in class software. It provides exceptional ease in detecting threats such as cutting tools, explosives narcotics and minimizes the error rate and offers unique image quality by showing the scanned organic, inorganic and mixed items in different colors thanks to its multi-diode structure and quality in imaging of scanned objects. It is a preferred model for locations with limited operating space and it is an efficient and a powerful device for scanning small handbags, packages parcels and cabin baggage in detail. It provides the ideal solution for locations where security screening is required like courts, police departments, offices, shopping malls, prisons and hotels.

X-RAY GENERATOR & IMAGE PERFORMANCE

Steel Penetration ¹	: 37 mm guaranteed; 39 mm typical
Wire Resolution ¹	: 38 AWG guaranteed; 40 AWG typical
Anode Voltage	: 170kV, operating at 147kV
Tube Current	: 0,7 mA
Beam Direction	: Vertically upward
Article Separation	: Low Z, Medium Z, High Z to 0,5 Z Accuracy
Cooling	: Oil and forced air cooling

COMPUTER SPECIFICATIONS

Processor	: Intel® Core™ i5 (or superior)
Monitor	: 21,5" Flat (or superior)
Memory	: 4 GB RAM (or superior)
Video Card	: 2 GB (or superior)
Hard Drive	: 1 TB (or superior)
USB Port	: 6 port (or superior)
Operating System	: Linux

OPTIONAL FEATURES

Barcode Reader System
External Camera Archiving
Remote Viewing Station
Recheck Station
Network Supervisory System (NSS)
Remote Access Connection
Smart Card Login

STANDARD FEATURES

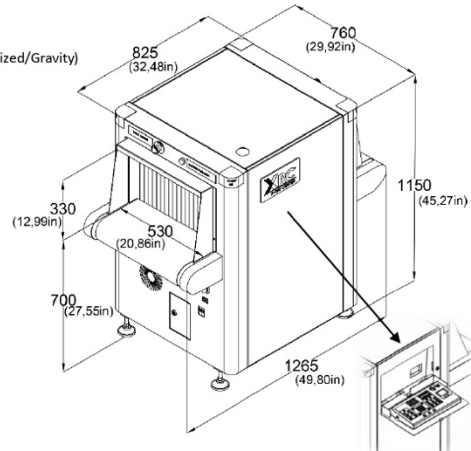
Programmable Function Keys
Parcel Counter
Date and Time Display
Virtual Threat Image Projection (TIP)
Organic/Inorganic Threat Alarm
Operator Training Program (OTP)
UPS (For Computer Supply)
Multi Languages
Self Diagnosis
Generator Timer
Automatic Stop Conveyor

OPTIONAL ACCESSORIES

External UPS (For system)
Operator Console (Open-Closed/Adjustable/I-stand)
21,5"- 27" Flat Monitor
Input / Output Rollers
Test Kit (STP/ASTM)
Protective Cover
Search Table
Tray Return System (Motorized/Gravity)
Inclined Conveyor
Ultrasonic Rat Repellent
Radiation Meter

STANDARD IMAGE PROCESSING FEATURES

Perfect View (Detail Enhancement) (PV)
Edge Enhancement (EE)
Pseudo Color (PS)
Organic Materials (OM)
Inorganic Materials (IM)
Black & White (B/W)
Inverse Colors (IN)
High Penetration (HP)
Variable Edge Enhancement (+E -E)
Variable Density (+D -D)
Variable Gamma (+G -G)
Variable Color Separation (+C -C)
Zoom (64x)
Sniper Zoom
Recall Previous Images
Manual/Automatic Archive
Annotated Archive
Multi Energy Viewer (4 -6 Color)
Atomic Number Display (Z Value)



The keyboard can be produced optionally as integrated into the device.

PROMEDI DIŐ TİCARET LTD ŐTİ

HQ:Yıldız Caddesi,Sungurlar İő Merkezi 45/1,Beőiktaő,İstanbul-Turkey, 34353

Phones: +90-212 259 2254 Faxes: +90-212 261 6339, Cell: +90-532 446 2929

e-mail: halukpromedi@gmail.com , haluk@promedi.biz, promedi@superonline.com

V.D. BEŐİKTAŐ 733 010 4891, www.promedi.biz

Branch: Free Trade Zone Istanbul Ataturk Airport:www.isbi.com.tr

Istanbul İhtisas Serbest Bolgesi,

Yeşilkoy SB Mah,ISBI Plaza A Blok No:1127, Bakirkoy,İstanbul,Turkey 34149

From the Founder&Managing Director
Haluk Karaoguz

XRC 50-30 (170kV)

XRC 50-30 x-ray device facilitates the operators use thanks to the various image processing functions, hazard alarm, advanced computer technology and the best in class software. It provides exceptional ease in detecting threats such as cutting tools, explosives narcotics and minimizes the error rate and offers unique image quality by showing the scanned organic, inorganic and mixed items in different colors thanks to its multi-diode structure and quality in imaging of scanned objects. It is a preferred model for locations with limited operating space and it is an efficient and a powerful device for scanning small handbags, packages parcels and cabin baggage in detail. It provides the ideal solution for locations where security screening is required like courts, police departments, offices, shopping malls, prisons and hotels.

X-RAY GENERATOR & IMAGE PERFORMANCE

Steel Penetration ¹	: 37 mm guaranteed; 39 mm typical
Wire Resolution ¹	: 38 AWG guaranteed; 40 AWG typical
Anode Voltage	: 170kV, operating at 147kV
Tube Current	: 0,7 mA
Beam Direction	: Vertically upward
Article Separation	: Low Z, Medium Z, High Z to 0,5 Z Accuracy
Cooling	: Oil and forced air cooling

COMPUTER SPECIFICATIONS

Processor	: Intel® Core™ i5 (or superior)
Monitor	: 21,5" Flat (or superior)
Memory	: 4 GB RAM (or superior)
Video Card	: 2 GB (or superior)
Hard Drive	: 1 TB (or superior)
USB Port	: 6 port (or superior)
Operating System	: Linux

OPTIONAL FEATURES

Barcode Reader System
External Camera Archiving
Remote Viewing Station
Recheck Station
Network Supervisory System (NSS)
Remote Access Connection
Smart Card Login

STANDARD FEATURES

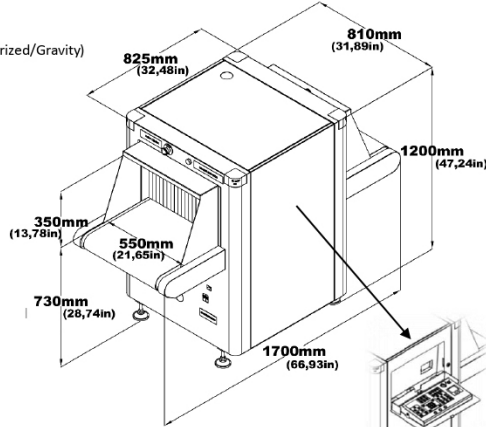
Programmable Function Keys
Parcel Counter
Date and Time Display
Virtual Threat Image Projection (TIP)
Organic/Inorganic Threat Alarm
Operator Training Program (OTP)
UPS (For Computer Supply)
Multi Languages
Self Diagnosis
Generator Timer
Automatic Stop Conveyor

OPTIONAL ACCESSORIES

External UPS (For system)
Operator Console (Open-Closed/Adjustable/I-stand)
21,5"- 27" Flat Monitor
Input / Output Rollers
Test Kit (STP/ASTM)
Protective Cover
Search Table
Tray Return System (Motorized/Gravity)
Inclined Conveyor
Ultrasonic Rat Repellent
Radiation Meter

STANDARD IMAGE PROCESSING FEATURES

Perfect View (Detail Enhancement) (PV)
Edge Enhancement (EE)
Pseudo Color (PS)
Organic Materials (OM)
Inorganic Materials (IM)
Black & White (B/W)
Inverse Colors (IN)
High Penetration (HP)
Variable Edge Enhancement (+E -E)
Variable Density (+D -D)
Variable Gamma (+G -G)
Variable Color Separation (+C -C)
Zoom (64x)
Sniper Zoom
Recall Previous Images
Manual/Automatic Archive
Annotated Archive
Multi Energy Viewer (4 - 6 Color)
Atomic Number Display (Z Value)



The keyboard can be produced optionally as integrated into the device.

PROMEDI DIŐ TİCARET LTD ŐTİ

HQ:Yıldız Caddesi,Sungurlar İő Merkezi 45/1,Beőiktaő,İstanbul-Turkey, 34353

Phones: +90-212 259 2254 Faxes: +90-212 261 6339, Cell: +90-532 446 2929

e-mail: halukpromedi@gmail.com , haluk@promedi.biz, promedi@superonline.com

V.D. BEŐİKTAŐ 733 010 4891, www.promedi.biz

Branch: Free Trade Zone Istanbul Ataturk Airport:www.isbi.com.tr

Istanbul İhtisas Serbest Bolgesi,

Yeşilkoy SB Mah,ISBI Plaza A Blok No:1127, Bakirkoy,Istanbul,Turkey 34149

From the Founder&Managing Director
Haluk Karaoguz

XRC 60-40P

XRC 60-40P model x-ray baggage scanner's various image processing functions, hazard alarm, advanced computer technology and the best in class software features facilitates the operators usage. It provides exceptional ease in detecting threats such as cutting tools, explosives narcotics and minimizes the error rate. Thanks to its multi-diode structure and quality in imaging of scanned objects, image is colored based on density and shows organic, inorganic and mixed materials in different tones. This x-ray machine is a preferred model for locations with limited operating space and it is an efficient and a powerful device for scanning small handbags, packages parcels and cabin baggage in detail. Courts, police departments, offices, shopping malls, prisons and hotels are its main areas of application.

X-RAY GENERATOR & IMAGE PERFORMANCE

Steel Penetration ¹	: 37 mm guaranteed; 39 mm typical
Wire Resolution ¹	: 38 AWG guaranteed; 40 AWG typical
Anode Voltage	: 170kV, operating at 147kV
Tube Current	: 0,7 mA
Beam Direction	: Vertically upward
Article Separation	: Low Z, Medium Z, High Z to 0,5 Z Accuracy
Cooling	: Oil and forced air cooling

COMPUTER SPECIFICATIONS

Processor	: Intel® Core™ i5 (or superior)
Monitor	: 21,5" Flat (or superior)
Memory	: 4 GB RAM (or superior)
Video Card	: 2 GB (or superior)
Hard Drive	: 1 TB (or superior)
USB Port	: 6 port (or superior)
Operating System	: Linux

OPTIONAL FEATURES

Barcode Reader System
External Camera Archiving
Remote Viewing Station
Recheck Station
Network Supervisory System (NSS)
Remote Access Connection
Smart Card Login

STANDARD FEATURES

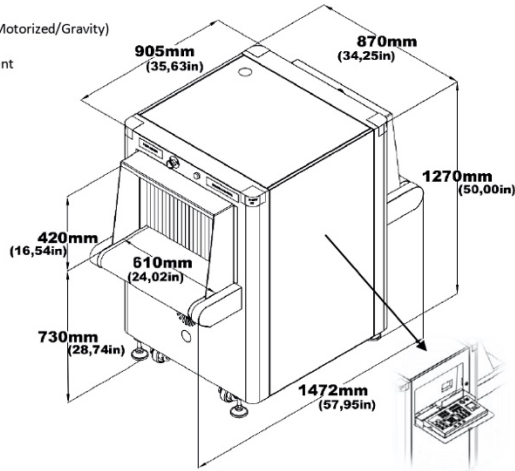
Programmable Function Keys
Parcel Counter
Date and Time Display
Virtual Threat Image Projection (TIP)
Organic/Inorganic Threat Alarm
Operator Training Program (OTP)
UPS (For Computer Supply)
Multi Languages
Self Diagnosis
Generator Timer
Automatic Stop Conveyor

OPTIONAL ACCESSORIES

External UPS (For system)
Operator Console (Open-Closed/Adjustable/I-stand)
21,5"- 27" Flat Monitor
Input / Output Rollers
Test Kit (STP/ASTM)
Protective Cover
Search Table
Tray Return System (Motorized/Gravity)
Inclined Conveyor
Ultrasonic Rat Repellent
Radiation Meter

STANDARD IMAGE PROCESSING FEATURES

Perfect View (Detail Enhancement) (PV)
Edge Enhancement (EE)
Pseudo Color (PS)
Organic Materials (OM)
Inorganic Materials (IM)
Black & White (B/W)
Inverse Colors (IN)
High Penetration (HP)
Variable Edge Enhancement (+E -E)
Variable Density (+D -D)
Variable Gamma (+G -G)
Variable Color Separation (+C -C)
Zoom (64x)
Sniper Zoom
Recall Previous Images
Manual/Automatic Archive
Annotated Archive
Multi Energy Viewer (4 - 6 Color)
Atomic Number Display (Z Value)



The keyboard can be produced optionally as integrated into the device.

PROMEDI DIŐ TİCARET LTD ŐTİ

HQ:Yıldız Caddesi,Sungurlar İŐ Merkezi 45/1,BeŐiktaŐ,İstanbul-Turkey, 34353

Phones: +90-212 259 2254 Faxes: +90-212 261 6339, Cell: +90-532 446 2929

e-mail: halukpromedi@gmail.com , haluk@promedi.biz, promedi@superonline.com

V.D. BEŐİKTAŐ 733 010 4891, www.promedi.biz

Branch: Free Trade Zone Istanbul Ataturk Airport:www.isbi.com.tr

Istanbul İhtisas Serbest Bolgesi,

YeŐilkoy SB Mah,ISBI Plaza A Blok No:1127, Bakirkoy,İstanbul,Turkey 34149

From the Founder&Managing Director
Haluk Karaoguz

XRC 60-40

XRC 60-40 is one of the XRC brand's preferred x-ray devices in terms of its dimensions and functionalities. It facilitates the operators use thanks to the various image processing functions, hazard alarm, advanced computer technology and the best in class software and it is a preferred model for locations with limited operating space. It provides exceptional ease in detecting threats such as cutting tools, explosives narcotics and minimizes the error rate. It provides unique image quality by showing the scanned organic, inorganic and mixed items in different colors thanks to its multi-diode structure and quality in imaging of scanned objects. X-ray security scanner is designed with the latest technology system to scan small handbags, packages parcels and cabin baggage in detail. Institutions ensure that packages are inspected in places where inspection is required, such as airports, customs border gates, police departments, ministries, prisons, institutions, courts.

X-RAY GENERATOR & IMAGE PERFORMANCE

Steel Penetration ¹	: 37 mm guaranteed; 39 mm typical
Wire Resolution ²	: 38 AWG guaranteed; 40 AWG typical
Anode Voltage	: 170kV, operating at 160kV
Tube Current	: 1,0 mA
Beam Direction	: Vertically upward
Article Separation	: Low Z, Medium Z, High Z to 0,5 Z Accuracy
Cooling	: Oil and forced air cooling

COMPUTER SPECIFICATIONS

Processor	: Intel® Core™ i5 (or superior)
Monitor	: 21,5" Flat (or superior)
Memory	: 4 GB RAM (or superior)
Video Card	: 2 GB (or superior)
Hard Drive	: 1 TB (or superior)
USB Port	: 6 port (or superior)
Operating System	: Linux

OPTIONAL FEATURES

Barcode Reader System
External Camera Archiving
Remote Viewing Station
Recheck Station
Network Supervisory System (NSS)
Remote Access Connection
Smart Card Login

STANDARD FEATURES

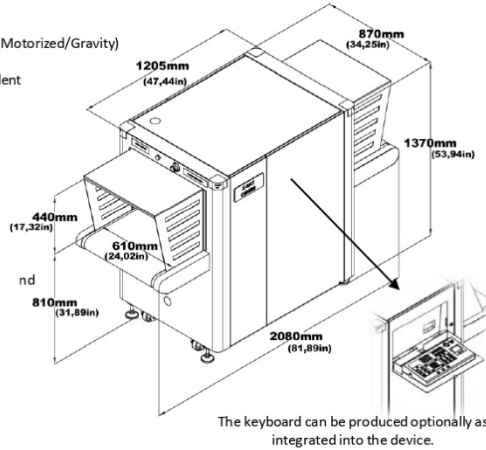
Programmable Function Keys
Parcel Counter
Date and Time Display
Virtual Threat Image Projection (TIP)
Organic/Inorganic Threat Alarm
Operator Training Program (OTP)
UPS (For Computer Supply)
Multi Languages
Self Diagnosis
Generator Timer
Automatic Stop Conveyor

OPTIONAL ACCESSORIES

External UPS (For system)
Operator Console (Open-Closed/Adjustable/I-stand)
21,5"- 27" Flat Monitor
Input / Output Rollers
Test Kit (STP/ASTM)
Protective Cover
Search Table
Tray Return System (Motorized/Gravity)
Inclined Conveyor
Ultrasonic Rat Repellent
Radiation Meter

STANDARD IMAGE PROCESSING FEATURES

Perfect View (Detail Enhancement) (PV)
Edge Enhancement (EE)
Pseudo Color (PS)
Organic Materials (OM)
Inorganic Materials (IM)
Black & White (B/W)
Inverse Colors (IN)
High Penetration (HP)
Variable Edge Enhancement (+E -E)
Variable Density (+D -D)
Variable Gamma (+G -G)
Variable Color Separation (+C -C)
Zoom (64x)
Sniper Zoom
Recall Previous Images
Manual/Automatic Archive
Annotated Archive
Multi Energy Viewer (4 - 6 Color)
Atomic Number Display (Z Value)



PROMEDI DIŐ TİCARET LTD ŐTİ

HQ:Yıldız Caddesi,Sungurlar İő Merkezi 45/1,Beőiktaő,İstanbul-Turkey, 34353

Phones: +90-212 259 2254 Faxes: +90-212 261 6339, Cell: +90-532 446 2929

e-mail: halukpromedi@gmail.com , haluk@promedi.biz, promedi@superonline.com

V.D. BEŐİKTAŐ 733 010 4891, www.promedi.biz

Branch: Free Trade Zone Istanbul Ataturk Airport:www.isbi.com.tr

Istanbul İhtisas Serbest Bolgesi,

Yesilkoy SB Mah,ISBI Plaza A Blok No:1127, Bakirkoy,Istanbul,Turkey 34149

From the Founder&Managing Director
Haluk Karaoguz

XRC 60-40DV

Quick and robust inspection is easily achieved with the XRC 60-40DV thanks to its **Liquid Explosive Detection Systems (LEDS) Standard 2 and Standard 3 Type C** issued by **European Civil Aviation Conference (ECAC)** and **American Transportation Safety Administration (TSA) ACSTL** certification. It facilitates the operators use thanks to the various image processing functions, hazard alarm, advanced computer technology and the best in class software and enables easy identification of potentially threatening objects such as cutting tools, explosives narcotics and minimizes the error rate.

It is designed with **dual view (DV)** technology. Thanks to its 2 x-ray generator sources, it provides high resolution and detailed imaging in horizontal and vertical angles. The images can be accessed with a single scan without the need to re-place the packages in a different orientation. Thus, hidden objects in the luggage are detected more easily and quickly. With the help of its multi-diode structure and quality in imaging of scanned objects, image is colored based on density and shows organic, inorganic and mixed materials in different tones. Small handbags, packages parcels and cabin baggage are suitable for scanning and offers the ideal solution for locations where security screening is required like airports checkpoints, police departments, ministries, prisons, institutions, courts, airlines, international customs logistics.

X-RAY GENERATOR & IMAGE PERFORMANCE

Steel Penetration ¹ : 37 mm guaranteed; 39 mm typical
Wire Resolution ¹ : 38 AWG guaranteed; 40 AWG typical
Anode Voltage : 170kV, operating at 160kV
Tube Current : 1,0 mA
Beam Direction 1st Generator : Vertically upward
2nd Generator : Horizontally sideward
Article Separation : Low Z, Medium Z, High Z to 0,5 Z Accuracy, Organic, InOrganic, Metallic
Cooling : Oil and forced air cooling

COMPUTER SPECIFICATIONS

Processor : Intel® Core™ i5 (or superior)
Monitor : Dual 21,5" Flat LCD Monitor Min.1280x1024 Resolution (or superior)
Memory : 4 GB RAM (or superior)
Video Card : 2 GB (or superior)
Hard Drive : 1 TB (or superior)
USB Port : 6 port (or superior)
Operating System : Linux

OPTIONAL FEATURES

Barcode Reader System
External Camera Archiving
Remote Viewing Station
Recheck Station
Network Supervisory System (NSS)
Remote Access Connection
Smart Card Login
3D Perspective View

OPTIONAL ACCESSORIES

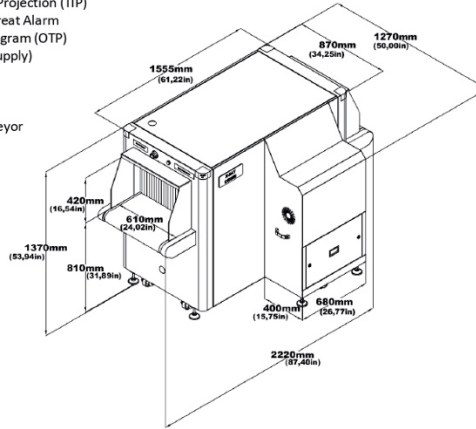
External UPS (For system)
Operator Console (Open-Closed/Adjustable/I-stand)
21,5"- 27" Flat Monitor
Input / Output Rollers
Test Kit (STP/ASTM)
Protective Cover
Search Table
Tray Return System (Motorized/Gravity)
Inclined Conveyor
Ultrasonic Rat Repellent
Radiation Meter

STANDARD FEATURES

Programmable Function Keys
Parcel Counter
Date and Time Display
Virtual Threat Image Projection (TIP)
Organic/Inorganic Threat Alarm
Operator Training Program (OTP)
UPS (For Computer Supply)
Multi Languages
Self Diagnosis
Generator Timer
Automatic Stop Conveyor

STANDARD IMAGE PROCESSING FEATURES

Perfect View (Detail Enhancement) (PV)
Edge Enhancement (EE)
Pseudo Color (PS)
Organic Materials (OM)
Inorganic Materials (IM)
Black & White (B/W)
Inverse Colors (IN)
High Penetration (HP)
Variable Edge Enhancement (+E -E)
Variable Density (+D -D)
Variable Gamma (+G -G)
Variable Color Separation (+C -C)
Zoom (64x)
Sniper Zoom
Recall Previous Images
Manual/Automatic Archive
Annotated Archive
Multi Energy Viewer (4 - 6 Color)
Atomic Number Display (Z Value)



PROMEDI DIŐ TİCARET LTD ŐTİ

HQ:Yıldız Caddesi,Sungurlar İő Merkezi 45/1,Beőiktaő,İstanbul-Turkey, 34353

Phones: +90-212 259 2254 Faxes: +90-212 261 6339, Cell: +90-532 446 2929

e-mail: halukpromedi@gmail.com , haluk@promedi.biz, promedi@superonline.com

V.D. BEŐİKTAŐ 733 010 4891, www.promedi.biz

Branch: Free Trade Zone Istanbul Ataturk Airport:www.isbi.com.tr

Istanbul İhtisas Serbest Bolgesi,

Yesilkoy SB Mah,ISBI Plaza A Blok No:1127, Bakirkoy,Istanbul,Turkey 34149

From the Founder&Managing Director
Haluk Karaoguz

XRC 65-45

The x-ray scanner designed with the latest technology system scans small handbags, packages parcels and cabin baggage in detail. XRC 65-45 facilitates the operators use thanks to the various image processing functions, hazard alarm, advanced computer technology and the best in class software. It provides exceptional ease in detecting threats such as cutting tools, explosives narcotics and minimizes the error rate.

Thanks to its multi-diode structure and quality in imaging of scanned objects image is colored based on density and shows organic, inorganic and mixed materials in different tones and it is a preferred model for locations with limited operating space. Institutions ensure that packages are inspected in places where inspection is required, such as airports, customs border gates, police departments, offices, ministries, prisons, institutions, courts.

X-RAY GENERATOR & IMAGE PERFORMANCE

Steel Penetration †	: 37 mm guaranteed; 39 mm typical
Wire Resolution †	: 38 AWG guaranteed; 40 AWG typical
Anode Voltage	: 170kV, operating at 147kV
Tube Current	: 0,7 mA
Beam Direction	: Vertically upward
Article Separation	: Low Z, Medium Z, High Z to 0,5 Z Accuracy
Cooling	: Oil and forced air cooling

COMPUTER SPECIFICATIONS

Processor	: Intel® Core™ i5 (or superior)
Monitor	: 21,5" Flat (or superior)
Memory	: 4 GB RAM (or superior)
Video Card	: 2 GB (or superior)
Hard Drive	: 1 TB (or superior)
USB Port	: 6 port (or superior)
Operating System	: Linux

OPTIONAL FEATURES

Barcode Reader System
External Camera Archiving
Remote Viewing Station
Recheck Station
Network Supervisory System (NSS)
Remote Access Connection
Smart Card Login

OPTIONAL ACCESSORIES

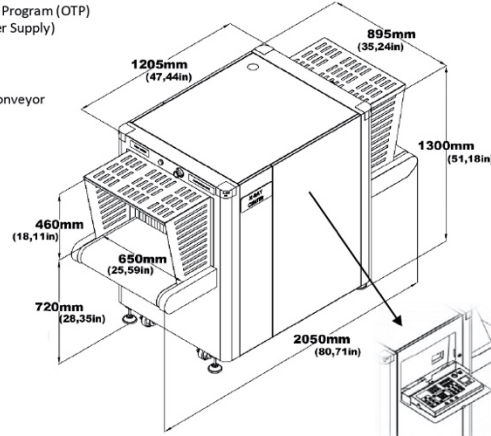
External UPS (For system)
Operator Console (Open-Closed/Adjustable/I-stand)
21,5"- 27" Flat Monitor
Input / Output Rollers
Test Kit (STP/ASTM)
Protective Cover
Search Table
Tray Return System (Motorized/Gravity)
Inclined Conveyor
Ultrasonic Rat Repellent
Radiation Meter

STANDARD IMAGE PROCESSING FEATURES

Perfect View (Detail Enhancement) (PV)
Edge Enhancement (EE)
Pseudo Color (PS)
Organic Materials (OM)
Inorganic Materials (IM)
Black & White (B/W)
Inverse Colors (IN)
High Penetration (HP)
Variable Edge Enhancement (+E -E)
Variable Density (+D -D)
Variable Gamma (+G -G)
Variable Color Separation (+C -C)
Zoom (64x)
Sniper Zoom
Recall Previous Images
Manual/Automatic Archive
Annotated Archive
Multi Energy Viewer (4 - 6 Color)
Atomic Number Display (Z Value)

STANDARD FEATURES

Programmable Function Keys
Parcel Counter
Date and Time Display
Virtual Threat Image Projection (TIP)
Organic/Inorganic Threat Alarm
Operator Training Program (OTP)
UPS (For Computer Supply)
Multi Languages
Self Diagnosis
Generator Timer
Automatic Stop Conveyor



The keyboard can be produced optionally as integrated into the device.

PROMEDI DIŐ TİCARET LTD ŐTİ

HQ:Yıldız Caddesi,Sungurlar İő Merkezi 45/1,Beőiktaő,İstanbul-Turkey, 34353

Phones: +90-212 259 2254 Faxes: +90-212 261 6339, Cell: +90-532 446 2929

e-mail: halukpromedi@gmail.com , haluk@promedi.biz, promedi@superonline.com

V.D. BEŐİKTAŐ 733 010 4891, www.promedi.biz

Branch: Free Trade Zone Istanbul Ataturk Airport:www.isbi.com.tr

Istanbul İhtisas Serbest Bolgesi,

Yesilkoy SB Mah,ISBI Plaza A Blok No:1127, Bakirkoy,Istanbul,Turkey 34149

From the Founder&Managing Director
Haluk Karaoguz

XRC 65-85

On account of **low conveyor unit**, heavy loads can be easily and conveniently placed to this x-ray machine. **XRC 65-85** facilitates the operators use thanks to the various image processing functions, hazard alarm, advanced computer technology and the best in class software. It provides exceptional ease in detecting threats such as cutting tools, explosives narcotics and minimizes the error rate. It provides unique image quality by showing the scanned organic, inorganic and mixed objects in different colors thanks to its multi-diode structure and quality in imaging of scanned objects. It is designed with the latest technology system to scan medium and large bags and packages. It offers the ideal solution for locations where security screening is required like at high traffic checkpoints as city transportation (metro, ferry, train stations), customs border crossings, prisons, and courier depots, such as international logistics companies, goods acceptance points and etc.

X-RAY GENERATOR & IMAGE PERFORMANCE

Steel Penetration ¹	: 37 mm guaranteed; 39 mm typical
Wire Resolution ²	: 38 AWG guaranteed; 40 AWG typical
Anode Voltage	: 170kV, operating at 160kV
Tube Current	: 1,0 mA
Beam Direction	: Horizontally sideward
Article Separation	: Low Z, Medium Z, High Z to 0,5 Z Accuracy
Cooling	: Oil and forced air cooling

COMPUTER SPECIFICATIONS

Processor	: Intel® Core™ i5 (or superior)
Monitor	: 21,5" Flat (or superior)
Memory	: 4 GB RAM (or superior)
Video Card	: 2 GB (or superior)
Hard Drive	: 1 TB (or superior)
USB Port	: 6 port (or superior)
Operating System	: Linux

OPTIONAL FEATURES

Barcode Reader System
External Camera Archiving
Remote Viewing Station
Recheck Station
Network Supervisory System (NSS)
Remote Access Connection
Smart Card Login

OPTIONAL ACCESSORIES

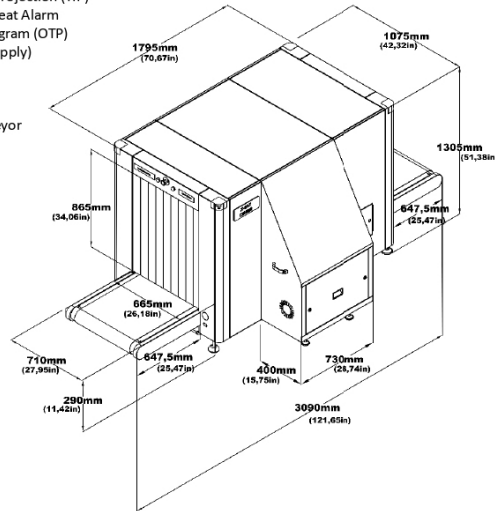
External UPS (For system)
Operator Console (Open-Closed/Adjustable/I-stand)
21,5" - 27" Flat Monitor
Input / Output Rollers
Test Kit (STP/ASTM)
Protective Cover
Search Table
Tray Return System (Motorized/Gravity)
Inclined Conveyor
Ultrasonic Rat Repellent
Radiation Meter

STANDARD FEATURES

Programmable Function Keys
Parcel Counter
Date and Time Display
Virtual Threat Image Projection (TIP)
Organic/Inorganic Threat Alarm
Operator Training Program (OTP)
UPS (For Computer Supply)
Multi Languages
Self Diagnosis
Generator Timer
Automatic Stop Conveyor

STANDARD IMAGE PROCESSING FEATURES

Perfect View (Detail Enhancement) (PV)
Edge Enhancement (EE)
Pseudo Color (PS)
Organic Materials (OM)
Inorganic Materials (IM)
Black & White (B/W)
Inverse Colors (IN)
High Penetration (HP)
Variable Edge Enhancement (+E -E)
Variable Density (+D -D)
Variable Gamma (+G -G)
Variable Color Separation (+C -C)
Zoom (64x)
Sniper Zoom
Recall Previous Images
Manual/Automatic Archive
Annotated Archive
Multi Energy Viewer (4 - 6 Color)
Atomic Number Display (Z Value)



PROMEDI DIŞ TİCARET LTD ŞTİ

HQ:Yıldız Caddesi,Sungurlar İş Merkezi 45/1,Beşiktaş,İstanbul-Turkey, 34353

Phones: +90-212 259 2254 Faxes: +90-212 261 6339, Cell: +90-532 446 2929

e-mail: halukpromedi@gmail.com , haluk@promedi.biz, promedi@superonline.com

V.D. BEŞİKTAŞ 733 010 4891, www.promedi.biz

Branch: Free Trade Zone Istanbul Ataturk Airport:www.isbi.com.tr

Istanbul İhtisas Serbest Bölgesi,

Yeşilköy SB Mah,ISBI Plaza A Blok No:1127, Bakırköy,İstanbul,Turkey 34149

From the Founder&Managing Director
Haluk Karaoguz

XRC 75-55

XRC 75-55 x-ray baggage scanner enables operators usage with the help of various image processing functions, hazard alarm, advanced computer technology and the best in class software. It makes it extraordinarily easy to detect threats such as cutting tools, explosive narcotics and reduces the rate of error. Thanks to its multi-diode structure and quality in imaging of scanned objects image is colored based on density and shows organic, inorganic and mixed materials in different tones. It is designed with the latest technology system to scan small handbags, packages parcels and cabin baggage in detail. Courts, police departments, offices, shopping malls, prisons and hotels are its main areas of application.

X-RAY GENERATOR & IMAGE PERFORMANCE

Steel Penetration ¹	: 37 mm guaranteed; 39 mm typical
Wire Resolution ¹	: 38 AWG guaranteed; 40 AWG typical
Anode Voltage	: 170kV, operating at 160kV
Tube Current	: 1,0 mA
Beam Direction	: Vertically upward
Article Separation	: Low Z, Medium Z, High Z to 0,5 Z Accuracy
Cooling	: Oil and forced air cooling

COMPUTER SPECIFICATIONS

Processor	: Intel® Core™ i5 (or superior)
Monitor	: 21,5" Flat (or superior)
Memory	: 4 GB RAM (or superior)
Video Card	: 2 GB (or superior)
Hard Drive	: 1 TB (or superior)
USB Port	: 6 port (or superior)
Operating System	: Linux

OPTIONAL FEATURES

Barcode Reader System
External Camera Archiving
Remote Viewing Station
Recheck Station
Network Supervisory System (NSS)
Remote Access Connection
Smart Card Login

OPTIONAL ACCESSORIES

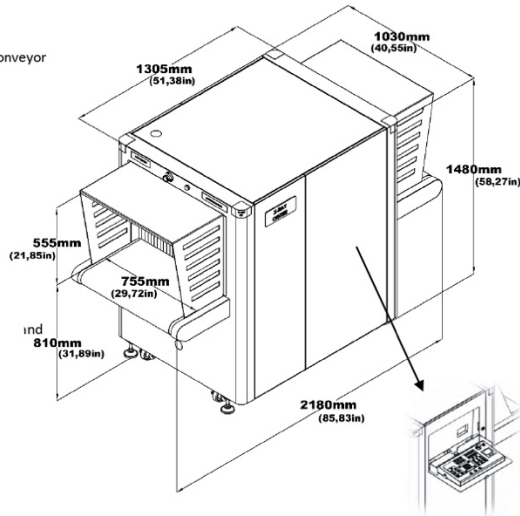
External UPS (For system)
Operator Console (Open-Closed/Adjustable/I-stand)
21,5"- 27" Flat Monitor
Input / Output Rollers
Test Kit (STP/ASTM)
Protective Cover
Search Table
Tray Return System (Motorized/Gravity)
Inclined Conveyor
Ultrasonic Rat Repellent
Radiation Meter

STANDARD IMAGE PROCESSING FEATURES

Perfect View (Detail Enhancement) (PV)
Edge Enhancement (EE)
Pseudo Color (PS)
Organic Materials (OM)
Inorganic Materials (IM)
Black & White (B/W)
Inverse Colors (IN)
High Penetration (HP)
Variable Edge Enhancement (+E-E)
Variable Density (+D -D)
Variable Gamma (+G -G)
Variable Color Separation (+C -C)
Zoom (64x)
Sniper Zoom
Recall Previous Images
Manual/Automatic Archive
Annotated Archive
Multi Energy Viewer (4 - 6 Color)
Atomic Number Display (Z Value)

STANDARD FEATURES

Programmable Function Keys
Parcel Counter
Date and Time Display
Virtual Threat Image Projection (TIP)
Organic/Inorganic Threat Alarm
Operator Training Program (OTP)
UPS (For Computer Supply)
Multi Languages
Self Diagnosis
Generator Timer
Automatic Stop Conveyor



The keyboard can be produced optionally as integrated into the device.

PROMEDI DIŐ TİCARET LTD ŐTİ

HQ:Yıldız Caddesi,Sungurlar İŐ Merkezi 45/1,BeŐiktaŐ,İstanbul-Turkey, 34353

Phones: +90-212 259 2254 Faxes: +90-212 261 6339, Cell: +90-532 446 2929

e-mail: halukpromedi@gmail.com , haluk@promedi.biz, promedi@superonline.com

V.D. BEŐİKTAŐ 733 010 4891, www.promedi.biz

Branch: Free Trade Zone Istanbul Ataturk Airport:www.isbi.com.tr

Istanbul İhtisas Serbest Bolgesi,

Yesilkoy SB Mah,ISBI Plaza A Blok No:1127, Bakirkoy,Istanbul,Turkey 34149

From the Founder&Managing Director
Haluk Karaoguz

XRC 75-55DV

American Transportation Security Administration (TSA) ACSTL qualified XRC 75-55DV x-ray baggage scanner is manufactured with dual view (DV) technology. Thanks to its 2 generator sources, it provides high resolution and detailed imaging in horizontal and vertical view. The visuals can be accessed with a single scan without the need to re-place the packages in a different orientation. Thus, hidden objects in the luggage are detected more easily and quickly. It facilitates the operators use thanks to the various image processing functions, hazard alarm, advanced computer technology and the best in class software. It enables easy identification of potentially threatening objects such as cutting tools, explosives narcotics and minimizes the error rate. As a consequence of multi-diode structure and quality in imaging of scanned objects, image is colored based on density and shows organic, inorganic and mixed materials in different tones. Small handbags, packages parcels and cabin baggage are suitable for scanning. Institutions ensure that packages are inspected in places where inspection is required, such as airports checkpoints, airlines, international customs logistics, courts, police departments, shopping malls, prisons and hotels.

X-RAY GENERATOR & IMAGE PERFORMANCE

Steel Penetration¹ : 37 mm guaranteed; 39 mm typical
Wire Resolution¹ : 38 AWG guaranteed; 40 AWG typical
Anode Voltage : 170kV, operating at 160kV
Tube Current : 0,8 mA
Beam Direction : 1st Generator : Vertically upward
2nd Generator : Horizontally sideward
Article Separation : Low Z, Medium Z, High Z to 0,5 Z Accuracy
Cooling : Oil and forced air cooling

COMPUTER SPECIFICATIONS

Processor : Intel® Core™ i5 (or superior)
Monitor : 21,5" Flat (or superior)
Memory : 4 GB RAM (or superior)
Video Card : 2 GB (or superior)
Hard Drive : 1 TB (or superior)
USB Port : 6 port (or superior)
Operating System : Linux

OPTIONAL FEATURES

Barcode Reader System
External Camera Archiving
Remote Viewing Station
Recheck Station
Network Supervisory System (NSS)
Remote Access Connection
Smart Card Login

OPTIONAL ACCESSORIES

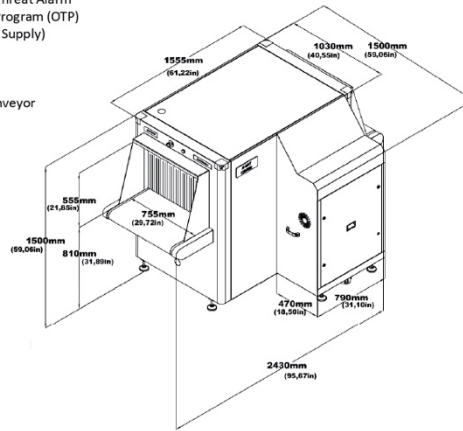
External UPS (For system)
Operator Console (Open-Closed/Adjustable/I-stand)
21,5"- 27" Flat Monitor
Input / Output Rollers
Test Kit (STP/ASTM)
Protective Cover
Search Table
Tray Return System (Motorized/Gravity)
Inclined Conveyor
Ultrasonic Rat Repellent
Radiation Meter

STANDARD FEATURES

Programmable Function Keys
Parcel Counter
Date and Time Display
Virtual Threat Image Projection (TIP)
Organic/Inorganic Threat Alarm
Operator Training Program (OTP)
UPS (For Computer Supply)
Multi Languages
Self Diagnosis
Generator Timer
Automatic Stop Conveyor

STANDARD IMAGE PROCESSING FEATURES

Perfect View (Detail Enhancement) (PV)
Edge Enhancement (EE)
Pseudo Color (PS)
Organic Materials (OM)
Inorganic Materials (IM)
Black & White (B/W)
Inverse Colors (IN)
High Penetration (HP)
Variable Edge Enhancement (+E -E)
Variable Density (+D -D)
Variable Gamma (+G -G)
Variable Color Separation (+C -C)
Zoom (64x)
Sniper Zoom
Recall Previous Images
Manual/Automatic Archive
Annotated Archive
Multi Energy Viewer (4 - 6 Color)
Atomic Number Display (Z Value)



PROMEDI DIŐ TİCARET LTD ŐTİ

HQ:Yıldız Caddesi,Sungurlar İő Merkezi 45/1,Beőiktaő,İstanbul-Turkey, 34353

Phones: +90-212 259 2254 Faxes: +90-212 261 6339, Cell: +90-532 446 2929

e-mail: halukpromedi@gmail.com , haluk@promedi.biz, promedi@superonline.com

V.D. BEŐİKTAŐ 733 010 4891, www.promedi.biz

Branch: Free Trade Zone Istanbul Ataturk Airport:www.isbi.com.tr

Istanbul İhtisas Serbest Bolgesi,

Yeşilkoy SB Mah,ISBI Plaza A Blok No:1127, Bakirkoy,Istanbul,Turkey 34149

LARGE PARCEL AND FREIGHT

XRC 85-85



PHYSICAL PROPERTIES

Tunnel Size (W x H)	: 865 mm x 865 mm
Dimensions (L x H x W)	: 3070 mm x 1730 mm x 1275 mm
Approx. Weight Unpacked	: 120,87 in x 68,11 in x 50,20 in
Conveyor Height	: ~1020 kg (2249 lbs.)
Conveyor Load Capacity	: 335mm (13,19 in)
System Power	: 200 kg (441 lbs.) Evenly Distributed
Conveyor Speed	: 110/220V AC ± 10% 50/60 Hz
	: 0,20 m/sec. Forward or Reverse

XRC 90-75

PHYSICAL PROPERTIES

Tunnel Size (W x H)	: 915 mm x 765mm
Dimensions (L x H x W)	: 36,02 in x 30,12 in
Approx. Weight Unpacked	: 2890 mm x 1630 mm x 1325 mm
Conveyor Height	: 113,78 in x 64,17 in x 52,17 in
Conveyor Load Capacity	: ~840 kg (1852 lbs.)
System Power	: 335 mm (13,19 in)
Conveyor Speed	: 200 kg (441 lbs.) Evenly Distributed
	: 110/220V AC ± 10% 50/60 Hz
	: 0,20 m/sec. Forward or Reverse



XRC 100-100



PHYSICAL PROPERTIES

Tunnel Size (W x H)	: 1000 mm x 1000 mm
Dimensions (L x H x W)	: 39,37 in x 39,37 in
Approx. Weight Unpacked	: 3550 mm x 1930 mm x 1410 mm
Conveyor Height	: 139,76 in x 75,98 in x 55,51 in
Conveyor Load Capacity	: ~1165 kg (2568 lbs.)
System Power	: 790 mm (31,10 in)
Conveyor Speed	: 200 kg (441 lbs.) Evenly Distributed
	: 110/220V AC ± 10% 50/60 Hz
	: 0,20 m/sec. Forward or Reverse

PROMEDI DIŐ TİCARET LTD ŐTİ

HQ:Yıldız Caddesi,Sungurlar İő Merkezi 45/1,Beőiktaő,İstanbul-Turkey, 34353
Phones: +90-212 259 2254 Faxes: +90-212 261 6339, Cell: +90-532 446 2929
e-mail: halukpromedi@gmail.com , haluk@promedi.biz , promedi@superonline.com

V.D. BEŐİKTAŐ 733 010 4891, www.promedi.biz

Branch: Free Trade Zone Istanbul Ataturk Airport:www.isbi.com.tr

Istanbul İhtisas Serbest Bolgesi,
Yesilkoy SB Mah,ISBI Plaza A Blok No:1127, Bakirkoy,İstanbul,Turkey 34149

XRC 100-100LC



PHYSICAL PROPERTIES

Tunnel Size (W x H)	: 1000 mm x 1000 mm
Dimensions (L x H x W)	: 39,37 in x 39,37 in
Approx. Weight Unpacked	: 3340 mm x 1865 mm x 1410 mm
Conveyor Height	: 131,50 in x 73,43 in x 55,51 in
Conveyor Load Capacity	: ~1020 kg (2249 lbs.)
System Power	: 335 mm (13,19 in)
Conveyor Speed	: 200 kg (441 lbs.) Evenly Distributed
	: 110/220V AC ± 10% 50/60 Hz
	: 0,20 m/sec. Forward or Reverse



PHYSICAL PROPERTIES

Tunnel Size (W x H)	: 1000 mm x 1000 mm
Dimensions (L x H x W)	: 39,37 in x 39,37 in
Approx. Weight Unpacked	: 3650 mm x 1865 mm x 1810 mm
Conveyor Height	: 143,70 in x 73,43 in x 71,26 in
Conveyor Load Capacity	: ~1340 kg (2954 lbs.)
System Power	: 335 mm (13,19 in)
Conveyor Speed	: 200 kg (441 lbs.) Evenly Distributed
	: 110/220V AC ± 10% 50/60 Hz
	: 0,20 m/sec. Forward or Reverse



XRC 100-100DV



XRC 100-100HCDV



PHYSICAL PROPERTIES

Tunnel Size (W x H)	: 1000 mm x 1000 mm
Dimensions (L x H x W)	: 39,37 in x 39,37 in
Approx. Weight Unpacked	: 3905 mm x 1925 mm x 1830 mm
Conveyor Height	: 153,74 in x 75,79 in x 72,05 in
Conveyor Load Capacity	: ~1420 kg (3131 lbs.)
System Power	: 750 mm (29,53 in)
Conveyor Speed	: 200 kg (441 lbs.) Evenly Distributed
	: 110/220V AC ± 10% 50/60 Hz
	: 0,20 m/sec. Forward or Reverse

PROMEDI DIŐ TİCARET LTD ŐTİ

HQ:Yıldız Caddesi,Sungurlar İŐ Merkezi 45/1,BeŐiktaŐ,İstanbul-Turkey, 34353
Phones: +90-212 259 2254 Faxes: +90-212 261 6339, Cell: +90-532 446 2929
e-mail: halukpromedi@gmail.com , haluk@promedi.biz, promedi@superonline.com

V.D. BEŐİKTAŐ 733 010 4891, www.promedi.biz

Branch: Free Trade Zone Istanbul Ataturk Airport:www.isbi.com.tr

İstanbul İhtisas Serbest Bolgesi,
Yesilkoy SB Mah,ISBI Plaza A Blok No:1127, Bakirkoy,İstanbul,Turkey 34149

From the Founder&Managing Director
Haluk Karaoguz

XRC 85-85

The **XRC 85-85** x-ray machine facilitates the placement of heavy objects into the device with the help of **low conveyor unit**. It simplified the operators use thanks to the various image processing functions, hazard alarm, advanced computer technology and the best in class software. It makes it extraordinarily easy to scan threats such as cutting tools, explosive narcotics and reduces the rate of error.

It provides unique image quality by showing the scanned organic, inorganic and mixed items in different colors thanks to its multi-diode structure and quality in imaging of scanned objects. It is designed with the latest technology system to scan medium and large bags and packages.

This model x-ray device offers the ideal solution for locations where security screening is required like at high traffic checkpoints as city transportation (metro, ferry, train stations), customs border crossings, prisons, and courier depots, such as international logistics companies, goods acceptance points and etc.

X-RAY GENERATOR & IMAGE PERFORMANCE

Steel Penetration ¹	: 37 mm guaranteed; 39 mm typical
Wire Resolution ¹	: 36 AWG guaranteed; 38 AWG typical
Anode Voltage	: 180kV, operating at 160kV
Tube Current	: 1,0 mA
Beam Direction	: Vertically downward
Article Separation	: Low Z, Medium Z, High Z to 0,5 Z Accuracy
Cooling	: Oil and forced air cooling

COMPUTER SPECIFICATIONS

Processor	: Intel® Core™ i5 (or superior)
Monitor	: 21,5" Flat (or superior)
Memory	: 4 GB RAM (or superior)
Video Card	: 2 GB (or superior)
Hard Drive	: 1 TB (or superior)
USB Port	: 6 port (or superior)
Operating System	: Linux

OPTIONAL FEATURES

Barcode Reader System
External Camera Archiving
Remote Viewing Station
Recheck Station
Network Supervisory System (NSS)
Remote Access Connection
Smart Card Login

OPTIONAL ACCESSORIES

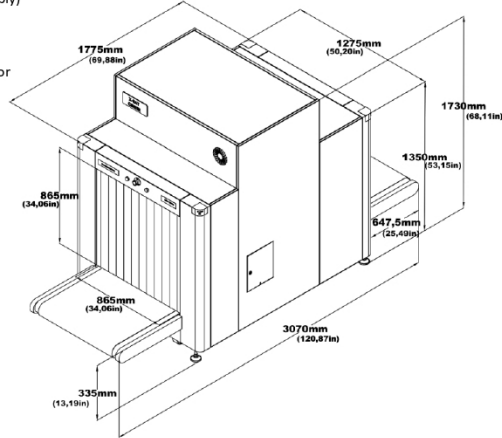
External UPS (For system)
Operator Console (Open-Closed/Adjustable/I-stand)
21,5"- 27" Flat Monitor
Input / Output Rollers
Test Kit (STP/ASTM)
Protective Cover
Search Table
Tray Return System (Motorized/Gravity)
Inclined Conveyor
Ultrasonic Rat Repellent
Radiation Meter

STANDARD FEATURES

Programmable Function Keys
Parcel Counter
Date and Time Display
Virtual Threat Image Projection (TIP)
Organic/Inorganic Threat Alarm
Operator Training Program (OTP)
UPS (For Computer Supply)
Multi Languages
Self Diagnosis
Generator Timer
Automatic Stop Conveyor

STANDARD IMAGE PROCESSING FEATURES

Perfect View (Detail Enhancement) (PV)
Edge Enhancement (EE)
Pseudo Color (PS)
Organic Materials (OM)
Inorganic Materials (IM)
Black & White (B/W)
Inverse Colors (IN)
High Penetration (HP)
Variable Edge Enhancement (+E -E)
Variable Density (+D -D)
Variable Gamma (+G -G)
Variable Color Separation (+C -C)
Zoom (64x)
Sniper Zoom
Recall Previous Images
Manual/Automatic Archive
Annotated Archive
Multi Energy Viewer (4 - 6 Color)
Atomic Number Display (Z Value)



PROMEDI DIŞ TİCARET LTD ŞTİ

HQ:Yıldız Caddesi,Sungurlar İş Merkezi 45/1,Beşiktaş,İstanbul-Turkey, 34353

Phones: +90-212 259 2254 Faxes: +90-212 261 6339, Cell: +90-532 446 2929

e-mail: halukpromedi@gmail.com , haluk@promedi.biz, promedi@superonline.com

V.D. BEŞİKTAŞ 733 010 4891, www.promedi.biz

Branch: Free Trade Zone Istanbul Ataturk Airport:www.isbi.com.tr

Istanbul İhtisas Serbest Bölgesi,

Yeşilkoy SB Mah,ISBI Plaza A Blok No:1127, Bakirkoy,Istanbul,Turkey 34149

From the Founder&Managing Director
Haluk Karaoguz

XRC 90-75

The XRC 90-75 x-ray machine, which has a low conveyor unit. Thanks to this unit, heavy loads can be easily and conveniently placed. It facilitates the operators use thanks to the various image processing functions, hazard alarm, advanced computer technology and the best in class software. It provides exceptional ease in detecting threats such as cutting tools, explosives narcotics and minimizes the error rate.

Thanks to its multi-diode structure and quality in imaging of scanned object, image is colored based on density and shows organic, inorganic and mixed materials in different tones.

It is an efficient and a powerful x-ray scanning device that allows inspection in at high traffic checkpoints as city transportation (metro, ferry, train stations), customs border crossings, prisons, and courier depots, like international logistics companies, goods acceptance points and etc. for scanning of medium and large bags and packages in detail.

X-RAY GENERATOR & IMAGE PERFORMANCE

Steel Penetration ¹	: 35 mm guaranteed; 37 mm typical
Wire Resolution ¹	: 36 AWG guaranteed; 38 AWG typical
Anode Voltage	: 180kV, operating at 160kV
Tube Current	: 1,0 mA
Beam Direction	: Vertically downward
Article Separation	: Low Z, Medium Z, High Z to 0,5 Z Accuracy
Cooling	: Oil and forced air cooling

COMPUTER SPECIFICATIONS

Processor	: Intel® Core™ i5 (or superior)
Monitor	: 21,5" Flat (or superior)
Memory	: 4 GB RAM (or superior)
Video Card	: 2 GB (or superior)
Hard Drive	: 1 TB (or superior)
USB Port	: 6 port (or superior)
Operating System	: Linux

OPTIONAL FEATURES

Barcode Reader System
External Camera Archiving
Remote Viewing Station
Recheck Station
Network Supervisory System (NSS)
Remote Access Connection
Smart Card Login

OPTIONAL ACCESSORIES

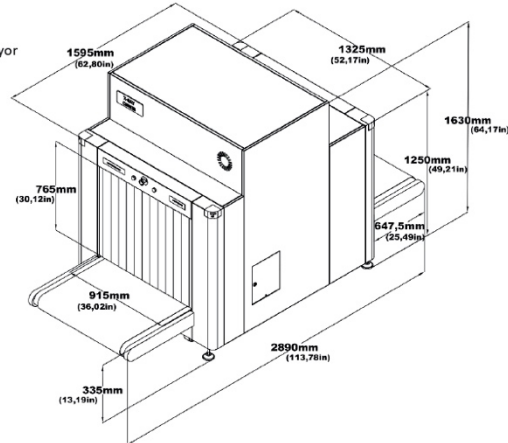
External UPS (For system)
Operator Console (Open-Closed/Adjustable/I-stand)
21,5"- 27" Flat Monitor
Input / Output Rollers
Test Kit (STP/ASTM)
Protective Cover
Search Table
Tray Return System (Motorized/Gravity)
Inclined Conveyor
Ultrasonic Rat Repellent
Radiation Meter

STANDARD FEATURES

Programmable Function Keys
Parcel Counter
Date and Time Display
Virtual Threat Image Projection (TIP)
Organic/Inorganic Threat Alarm
Operator Training Program (OTP)
UPS (For Computer Supply)
Multi Languages
Self Diagnosis
Generator Timer
Automatic Stop Conveyor

STANDARD IMAGE PROCESSING FEATURES

Perfect View (Detail Enhancement) (PV)
Edge Enhancement (EE)
Pseudo Color (PS)
Organic Materials (OM)
Inorganic Materials (IM)
Black & White (B/W)
Inverse Colors (IN)
High Penetration (HP)
Variable Edge Enhancement (+E -E)
Variable Density (+D -D)
Variable Gamma (+G -G)
Variable Color Separation (+C -C)
Zoom (64x)
Sniper Zoom
Recall Previous Images
Manual/Automatic Archive
Annotated Archive
Multi Energy Viewer (4 - 6 Color)
Atomic Number Display (Z Value)



PROMEDI DIŐ TİCARET LTD ŐTİ

HQ:Yıldız Caddesi,Sungurlar İŐ Merkezi 45/1,BeŐiktaŐ,İstanbul-Turkey, 34353

Phones: +90-212 259 2254 Faxes: +90-212 261 6339, Cell: +90-532 446 2929

e-mail: halukpromedi@gmail.com , haluk@promedi.biz, promedi@superonline.com

V.D. BEŐİKTAŐ 733 010 4891, www.promedi.biz

Branch: Free Trade Zone Istanbul Ataturk Airport:www.isbi.com.tr

Istanbul İhtisas Serbest Bolgesi,

Yesilkoy SB Mah,ISBI Plaza A Blok No:1127, Bakirkoy,İstanbul,Turkey 34149

From the Founder&Managing Director
Haluk Karaoguz

XRC 100-100

This x-ray baggage scanner facilitates the operators use thanks to the various image processing functions, hazard alarm, advanced computer technology and the best in class software. It provides exceptional ease in detecting threats such as cutting tools, explosives narcotics and minimizes the error rate. **XRC 100-100** offers unique image quality by showing the scanned organic, inorganic and mixed items in different colors thanks to its multi-diode structure and quality in imaging of scanned objects which is designed with the latest technology system to scan medium and large bags and packages.

Institutions ensure that packages are inspected in places where inspection is required, such as high traffic checkpoints, city transportation (metro, ferry, train stations), customs border crossings, prisons, and courier depots like international logistics companies, goods acceptance points and etc.

X-RAY GENERATOR & IMAGE PERFORMANCE

Steel Penetration¹ : 37 mm guaranteed; 39 mm typical
Wire Resolution² : 38 AWG guaranteed; 40 AWG typical
Anode Voltage : 180kV, operating at 160kV
Tube Current : 1,0 mA
Beam Direction : Vertically upward
Article Separation : Low Z, Medium Z, High Z to 0,5 Z Accuracy
Cooling : Oil and forced air cooling

COMPUTER SPECIFICATIONS

Processor : Intel® Core™ i5 (or superior)
Monitor : 21,5" Flat (or superior)
Memory : 4 GB RAM (or superior)
Video Card : 2 GB (or superior)
Hard Drive : 1 TB (or superior)
USB Port : 6 port (or superior)
Operating System : Linux

OPTIONAL FEATURES

Barcode Reader System
External Camera Archiving
Remote Viewing Station
Recheck Station
Network Supervisory System (NSS)
Remote Access Connection
Smart Card Login

OPTIONAL ACCESSORIES

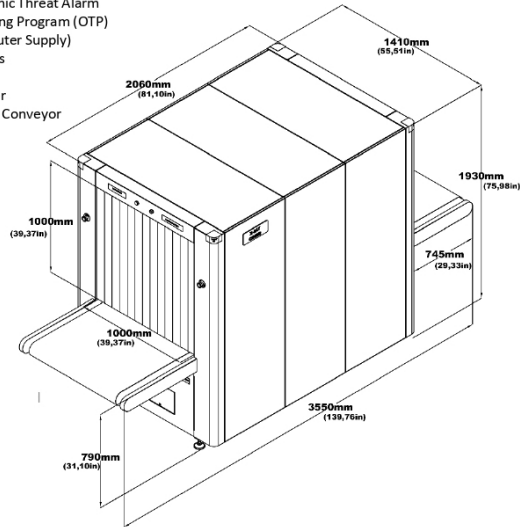
External UPS (For system)
Operator Console (Open-Closed/Adjustable/I-stand)
21,5" - 27" Flat Monitor
Input / Output Rollers
Test Kit (STP/ASTM)
Protective Cover
Search Table
Tray Return System (Motorized/Gravity)
Inclined Conveyor
Ultrasonic Rat Repellent
Radiation Meter

STANDARD IMAGE PROCESSING FEATURES

Perfect View (Detail Enhancement) (PV)
Edge Enhancement (EE)
Pseudo Color (PS)
Organic Materials (OM)
Inorganic Materials (IM)
Black & White (B/W)
Inverse Colors (IN)
High Penetration (HP)
Variable Edge Enhancement (+E -E)
Variable Density (+D -D)
Variable Gamma (+G -G)
Variable Color Separation (+C -C)
Zoom (64x)
Sniper Zoom
Recall Previous Images
Manual/Automatic Archive
Annotated Archive
Multi Energy Viewer (4 - 6 Color)
Atomic Number Display (Z Value)

STANDARD FEATURES

Programmable Function Keys
Parcel Counter
Date and Time Display
Virtual Threat Image Projection (TIP)
Organic/Inorganic Threat Alarm
Operator Training Program (OTP)
UPS (For Computer Supply)
Multi Languages
Self Diagnosis
Generator Timer
Automatic Stop Conveyor



PROMEDI DIŐ TİCARET LTD ŐTİ

HQ:Yıldız Caddesi,Sungurlar İő Merkezi 45/1,Beőiktaő,İstanbul-Turkey, 34353

Phones: +90-212 259 2254 Faxes: +90-212 261 6339, Cell: +90-532 446 2929

e-mail: halukpromedi@gmail.com , haluk@promedi.biz, promedi@superonline.com

V.D. BEŐİKTAŐ 733 010 4891, www.promedi.biz

Branch: Free Trade Zone Istanbul Ataturk Airport:www.isbi.com.tr

Istanbul İhtisas Serbest Bolgesi,

Yesilkoy SB Mah,ISBI Plaza A Blok No:1127, Bakirkoy,Istanbul,Turkey 34149

From the Founder&Managing Director
Haluk Karaoguz

XRC 100-100LC

European Civil Aviation Technical Service (STAC) certified x-ray device has low conveyor unit which facilitates the placement of heavy objects into the device. It simplifies the operators use thanks to the various image processing functions, hazard alarm, advanced computer technology and the best in class software. It makes it extraordinarily easy to scan threats such as cutting tools, explosive narcotics and reduces the rate of error.

It provides unique image quality by showing the scanned organic, inorganic and mixed objects in different colors thanks to its multi-diode structure and quality in imaging of scanned objects. It is an efficient and a powerful device for scanning medium and large bags and packages in detail.

Institutions ensure that packages are inspected in places where inspection is required, such as high traffic checkpoints, city transportation (metro, ferry, train stations), customs border crossings, prisons, and courier depots, like international logistics companies, goods acceptance points and etc.

X-RAY GENERATOR & IMAGE PERFORMANCE

Steel Penetration †	: 35 mm guaranteed; 37 mm typical
Wire Resolution †	: 36 AWG guaranteed; 38 AWG typical
Anode Voltage	: 180kV, operating at 165kV
Tube Current	: 1,0 mA
Beam Direction	: Vertically downward
Article Separation	: Low Z, Medium Z, High Z to 0,5 Z Accuracy
Cooling	: Oil and forced air cooling

COMPUTER SPECIFICATIONS

Processor	: Intel® Core™ i5 (or superior)
Monitor	: 21,5" Flat (or superior)
Memory	: 4 GB RAM (or superior)
Video Card	: 2 GB (or superior)
Hard Drive	: 1 TB (or superior)
USB Port	: 6 port (or superior)
Operating System	: Linux

OPTIONAL FEATURES

Barcode Reader System
External Camera Archiving
Remote Viewing Station
Recheck Station
Network Supervisory System (NSS)
Remote Access Connection
Smart Card Login

OPTIONAL ACCESSORIES

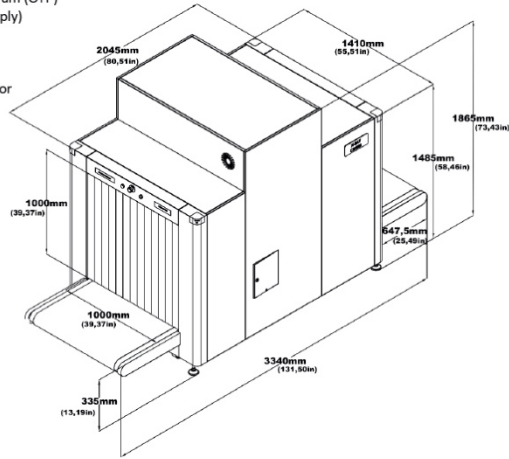
External UPS (For system)
Operator Console (Open-Closed/Adjustable/I-stand)
21,5"- 27" Flat Monitor
Input / Output Rollers
Test Kit (STP/ASTM)
Protective Cover
Search Table
Tray Return System (Motorized/Gravity)
Inclined Conveyor
Ultrasonic Rat Repellent
Radiation Meter

STANDARD FEATURES

Programmable Function Keys
Parcel Counter
Date and Time Display
Virtual Threat Image Projection (TIP)
Organic/Inorganic Threat Alarm
Operator Training Program (OTP)
UPS (For Computer Supply)
Multi Languages
Self Diagnosis
Generator Timer
Automatic Stop Conveyor

STANDARD IMAGE PROCESSING FEATURES

Perfect View (Detail Enhancement) (PV)
Edge Enhancement (EE)
Pseudo Color (PS)
Organic Materials (OM)
Inorganic Materials (IM)
Black & White (B/W)
Inverse Colors (IN)
High Penetration (HP)
Variable Edge Enhancement (+E -E)
Variable Density (+D -D)
Variable Gamma (+G -G)
Variable Color Separation (+C -C)
Zoom (64x)
Sniper Zoom
Recall Previous Images
Manual/Automatic Archive
Annotated Archive
Multi Energy Viewer (4 - 6 Color)
Atomic Number Display (Z Value)



PROMEDI DIŐ TİCARET LTD ŐTİ

HQ:Yıldız Caddesi,Sungurlar İő Merkezi 45/1,Beőiktaő,İstanbul-Turkey, 34353

Phones: +90-212 259 2254 Faxes: +90-212 261 6339, Cell: +90-532 446 2929

e-mail: halukpromedi@gmail.com , haluk@promedi.biz, promedi@superonline.com

V.D. BEŐİKTAŐ 733 010 4891, www.promedi.biz

Branch: Free Trade Zone Istanbul Ataturk Airport:www.isbi.com.tr

Istanbul İhtisas Serbest Bolgesi,

Yeşilkoy SB Mah,ISBI Plaza A Blok No:1127, Bakirkoy,Istanbul,Turkey 34149

From the Founder&Managing Director
Haluk Karaoguz

XRC 100-100DV

American Transportation Security Administration (TSA) ACSTL and European Civil Aviation Technical Service (STAC) certified XRC 100-100DV x-ray baggage scanner facilitates the operators use thanks to the various image processing functions, hazard alarm, advanced computer technology and the best in class software. It enables easy identification of potentially threatening objects such as cutting tools, explosives narcotics and minimizes the error rate. Thanks to its multi-diode structure and quality in imaging of scanned materials, image is colored based on density and shows organic, inorganic and mixed materials in different tones. It is designed with **dual view (DV)** technology. Thanks to its 2 x-ray generator sources, it provides high resolution and detailed imaging in horizontal and vertical angles. The images can be accessed with a single scan without the need to re-place the packages in a different orientation. Thus, hidden objects in the luggage are detected more easily and quickly.

It is an efficient and a powerful device for scanning medium and large bags and packages in detail. The x-ray security machine provides the ideal solution for locations where security screening is required like at high traffic checkpoints as city transportation (metro, ferry, train stations), customs border crossings, prisons, and courier depots, like international logistics companies, goods acceptance points and etc.

X-RAY GENERATOR & IMAGE PERFORMANCE

Steel Penetration ¹	: 36 mm guaranteed; 40 mm typical
Wire Resolution ¹	: 38 AWG guaranteed; 40 AWG typical
Anode Voltage	: 180kV, operating at 165kV
Tube Current	: 1,0 mA
Beam Direction	1st Generator : Vertically downward 2nd Generator : Horizontally sideward
Article Separation	: Low Z, Medium Z, High Z to 0,5 Z Accuracy
Cooling	: Oil and forced air cooling

COMPUTER SPECIFICATIONS

Processor	: Intel® Core™ i5 (or superior)
Monitor	: 21,5" Flat (or superior)
Memory	: 4 GB RAM (or superior)
Video Card	: 2 GB (or superior)
Hard Drive	: 1 TB (or superior)
USB Port	: 6 port (or superior)
Operating System	: Linux

OPTIONAL FEATURES

Barcode Reader System
External Camera Archiving
Remote Viewing Station
Recheck Station
Network Supervisory System (NSS)
Remote Access Connection
Smart Card Login

OPTIONAL ACCESSORIES

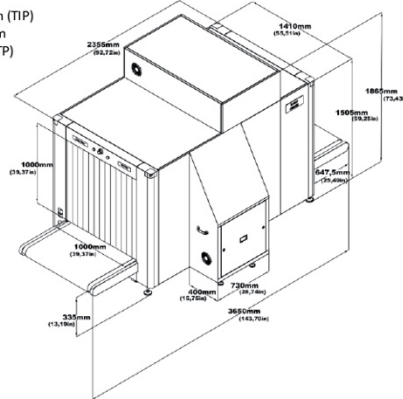
External UPS (For system)
Operator Console (Open-Closed/Adjustable/I-stand)
21,5"- 27" Flat Monitor
Input / Output Rollers
Test Kit (STP/ASTM)
Protective Cover
Search Table
Tray Return System (Motorized/Gravity)
Inclined Conveyor
Ultrasonic Rat Repellent
Radiation Meter

STANDARD IMAGE PROCESSING FEATURES

Perfect View (Detail Enhancement) (PV)
Edge Enhancement (EE)
Pseudo Color (PS)
Organic Materials (OM)
Inorganic Materials (IM)
Black & White (B/W)
Inverse Colors (IN)
High Penetration (HP)
Variable Edge Enhancement (+E -E)
Variable Density (+D -D)
Variable Gamma (+G -G)
Variable Color Separation (+C -C)
Zoom (64x)
Sniper Zoom
Recall Previous Images
Manual/Automatic Archive
Annotated Archive
Multi Energy Viewer (4 - 6 Color)
Atomic Number Display (Z Value)

STANDARD FEATURES

Programmable Function Keys
Parcel Counter
Date and Time Display
Virtual Threat Image Projection (TIP)
Organic/Inorganic Threat Alarm
Operator Training Program (OTP)
UPS (For Computer Supply)
Multi Languages
Self Diagnosis
Generator Timer
Automatic Stop Conveyor



PROMEDI DIŞ TİCARET LTD ŞTİ

HQ:Yıldız Caddesi,Sungurlar İş Merkezi 45/1,Beşiktaş,İstanbul-Turkey, 34353

Phones: +90-212 259 2254 Faxes: +90-212 261 6339, Cell: +90-532 446 2929

e-mail: halukpromedi@gmail.com , haluk@promedi.biz, promedi@superonline.com

V.D. BEŞİKTAŞ 733 010 4891, www.promedi.biz

Branch: Free Trade Zone Istanbul Ataturk Airport:www.isbi.com.tr

Istanbul İhtisas Serbest Bölgesi,

Yeşilköy SB Mah,ISBI Plaza A Blok No:1127, Bakırköy,İstanbul,Turkey 34149

From the Founder&Managing Director
Haluk Karaoguz

XRC 100-100HCDV

XRC 100-100HCDV x-ray baggage scanner has **high conveyor unit** and **dual view system** together. The machine itself facilitates the operators use thanks to the various image processing functions, hazard alarm, advanced computer technology and the best in class software. It provides exceptional ease in detecting threats such as cutting tools, explosives narcotics and minimizes the error rate.

Thanks to its multi-diode structure and quality in imaging of scanned objects, image is colored based on density and shows organic, inorganic and mixed materials in different tones. With the help of 2 generator sources, it provides high resolution and detailed imaging in horizontal and vertical angles. The images can be accessed with a single scan without the need to re-place the packages in a different orientation. Thus, hidden objects in the luggage are detected more easily and quickly. It is designed with the latest technology to scan medium and large bags and packages. Post offices high traffic checkpoints as city transportation (metro, ferry, train stations), customs border crossings, prisons, and courier depots, like international logistics companies, goods acceptance points and etc. are its main areas of application.

X-RAY GENERATOR & IMAGE PERFORMANCE

Steel Penetration †	: 37 mm guaranteed; 39 mm typical
Wire Resolution †	: 38 AWG guaranteed; 40 AWG typical
Anode Voltage	: 180kV, operating at 160kV
Tube Current	: 1,0 mA
Beam Direction	: 1st Generator : Vertically upward 2nd Generator : Horizontally sideward
Article Separation	: Low Z, Medium Z, High Z to 0,5 Z Accuracy
Cooling	: Oil and forced air cooling

COMPUTER SPECIFICATIONS

Processor	: Intel® Core™ i5 (or superior)
Monitor	: 21,5" Flat (or superior)
Memory	: 4 GB RAM (or superior)
Video Card	: 2 GB (or superior)
Hard Drive	: 1 TB (or superior)
USB Port	: 6 port (or superior)
Operating System	: Linux

OPTIONAL FEATURES

Barcode Reader System
External Camera Archiving
Remote Viewing Station
Recheck Station
Network Supervisory System (NSS)
Remote Access Connection
Smart Card Login

OPTIONAL ACCESSORIES

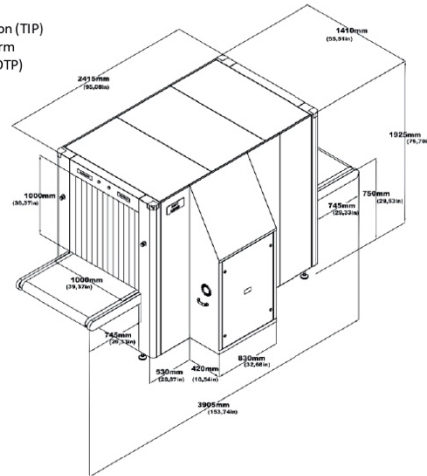
External UPS (For system)
Operator Console (Open-Closed/Adjustable/I-stand)
21,5"- 27" Flat Monitor
Input / Output Rollers
Test Kit (STP/ASTM)
Protective Cover
Search Table
Tray Return System (Motorized/Gravity)
Inclined Conveyor
Ultrasonic Rat Repellent
Radiation Meter

STANDARD FEATURES

Programmable Function Keys
Parcel Counter
Date and Time Display
Virtual Threat Image Projection (TIP)
Organic/Inorganic Threat Alarm
Operator Training Program (OTP)
UPS (For Computer Supply)
Multi Languages
Self Diagnosis
Generator Timer
Automatic Stop Conveyor

STANDARD IMAGE PROCESSING FEATURES

Perfect View (Detail Enhancement) (PV)
Edge Enhancement (EE)
Pseudo Color (PS)
Organic Materials (OM)
Inorganic Materials (IM)
Black & White (B/W)
Inverse Colors (IN)
High Penetration (HP)
Variable Edge Enhancement (+E -E)
Variable Density (+D -D)
Variable Gamma (+G -G)
Variable Color Separation (+C -C)
Zoom (64x)
Sniper Zoom
Recall Previous Images
Manual/Automatic Archive
Annotated Archive
Multi Energy Viewer (4 - 6 Color)
Atomic Number Display (Z Value)



PROMEDI DIŞ TİCARET LTD ŞTİ

HQ:Yıldız Caddesi,Sungurlar İş Merkezi 45/1,Beşiktaş,İstanbul-Turkey, 34353

Phones: +90-212 259 2254 Faxes: +90-212 261 6339, Cell: +90-532 446 2929

e-mail: halukpromedi@gmail.com , haluk@promedi.biz, promedi@superonline.com

V.D. BEŞİKTAŞ 733 010 4891, www.promedi.biz

Branch: Free Trade Zone Istanbul Ataturk Airport:www.isbi.com.tr

Istanbul İhtisas Serbest Bölgesi,

Yeşilkoy SB Mah,ISBI Plaza A Blok No:1127, Bakirkoy,İstanbul,Turkey 34149

PALLET & CARGO

XRC 150-165



PHYSICAL PROPERTIES

Tunnel Size	: 1530 mm x 1655 mm
(W x H)	: 60,24 in x 65,16 in
Dimensions	: 6445 mm x 2145 mm x 2440 mm
(L x H x W)	: 253,74 in x 84,45 in x 96,06 in
Approx. Weight Unpacked	: ~2450 kg (5401 lbs.)
Conveyor Height	: 295 mm (11,61 in)
Conveyor Load Capacity	: 3000 kg (6614 lbs.) Evenly Distributed
System Power	: 110/220V AC \pm 10% 50/60 Hz
Conveyor Speed	: 0,20 m/sec. Forward or Reverse

PHYSICAL PROPERTIES

Tunnel Size	: 1540 mm x 1660 mm
(W x H)	: 60,63 in x 65,35 in
Dimensions	: 8180 mm x 2865 mm x 2505 mm
(L x H x W)	: 322,05 in x 112,80 in x 98,62 in
Approx. Weight Unpacked	: ~6100 kg (13448 lbs.)
Conveyor Height	: 385 mm (15,16 in)
Conveyor Load Capacity	: 3000 kg (6614 lbs.) Evenly Distributed
System Power	: 110/220V AC \pm 10% 50/60 Hz
Conveyor Speed	: 0,20 m/sec. Forward or Reverse

XRC 150-165DV



XRC 150-165DV (320kV)



PHYSICAL PROPERTIES

Tunnel Size	: 1520 mm x 1660 mm
(W x H)	: 59,84 in x 65,35 in
Dimensions	: 8280 mm x 3260 mm x 3185 mm
(L x H x W)	: 325,98 in x 128,35 in x 125,39 in
Approx. Weight Unpacked	: ~9500 kg (20944 lbs.)
Conveyor Height	: 465 mm (18,31 in)
Conveyor Load Capacity	: 3000 kg (6614 lbs.) Evenly Distributed
System Power	: 110/220V AC \pm 10% 50/60 Hz
Conveyor Speed	: 0,20 m/sec. Forward or Reverse

PROMEDI DIŐ TİCARET LTD ŐTİ

HQ:Yıldız Caddesi,Sungurlar İŐ Merkezi 45/1,BeŐiktaŐ,İstanbul-Turkey, 34353
Phones: +90-212 259 2254 Faxes: +90-212 261 6339, Cell: +90-532 446 2929
e-mail: halukpromedi@gmail.com , haluk@promedi.biz, promedi@superonline.com

V.D. BEŐİKTAŐ 733 010 4891, www.promedi.biz

Branch: Free Trade Zone Istanbul Ataturk Airport:www.isbi.com.tr

Istanbul İhtisas Serbest Bolgesi,

Yesilkoy SB Mah,ISBI Plaza A Blok No:1127, Bakirkoy,İstanbul,Turkey 34149

From the Founder&Managing Director
Haluk Karaoguz

XRC 180-180



PHYSICAL PROPERTIES

Tunnel Size	: 1825 mm x 1810 mm
(W x H)	: 71,85 in x 71,26 in
Dimensions	: 8100 mm x 2315 mm x 2775 mm
(L x H x W)	: 318,90 in x 91,14 in x 109,25 in
Approx. Weight Unpacked	: ~5800 kg (12787 lbs.)
Conveyor Height	: 290 mm (11,42 in)
Conveyor Load Capacity	: 3000 kg (6614 lbs.) Evenly Distributed
System Power	: 110/220V AC \pm 10% 50/60 Hz
Conveyor Speed	: 0,20 m/sec. Forward or Reverse

PHYSICAL PROPERTIES

Tunnel Size	: 1820 mm x 1810 mm
(W x H)	: 71,65 in x 71,26 in
Dimensions	: 8580 mm x 3015 mm x 2785 mm
(L x H x W)	: 337,80 in x 118,70 in x 109,65 in
Approx. Weight Unpacked	: ~6800 kg (14991 lbs.)
Conveyor Height	: 385 mm (15,16 in)
Conveyor Load Capacity	: 3000 kg (6614 lbs.) Evenly Distributed
System Power	: 110/220V AC \pm 10% 50/60 Hz
Conveyor Speed	: 0,20 m/sec. Forward or Reverse

XRC 180-180DV



XRC 180-180 DV (320KV)



PHYSICAL PROPERTIES

Tunnel Size	: 1800 mm x 1810 mm
(W x H)	: 70,87 in x 71,26 in
Dimensions	: 8580 mm x 3410 mm x 3465 mm
(L x H x W)	: 337,80 in x 134,25 in x 136,42 in
Approx. Weight Unpacked	: ~10500 kg (23149 lbs.)
Conveyor Height	: 465 mm (18,31 in)
Conveyor Load Capacity	: 3000 kg (6614 lbs.) Evenly Distributed
System Power	: 110/220V AC \pm 10% 50/60 Hz
Conveyor Speed	: 0,20 m/sec. Forward or Reverse



PROMEDI DIŐ TİCARET LTD ŐTİ

HQ:Yıldız Caddesi,Sungurlar İő Merkezi 45/1,Beőiktaő,İstanbul-Turkey, 34353
Phones: +90-212 259 2254 Faxes: +90-212 261 6339, Cell: +90-532 446 2929
e-mail: halukpromedi@gmail.com , haluk@promedi.biz , promedi@superonline.com

V.D. BEŐİKTAŐ 733 010 4891, www.promedi.biz

Branch: Free Trade Zone Istanbul Ataturk Airport:www.isbi.com.tr

İstanbul İhtisas Serbest Bolgesi,
Yeşilkoy SB Mah,ISBI Plaza A Blok No:1127, Bakirkoy,İstanbul,Turkey 34149

From the Founder&Managing Director
Haluk Karaoguz

XRC 150-165

XRC 150-165 provides excellent performance thanks to its 200kV generator. It facilitates the operators use thanks to the various image processing functions, hazard alarm, advanced computer technology and the best in class software. It provides exceptional ease in detecting threats such as cutting tools, explosives narcotics and minimizes the error rate. Thanks to its multi-diode structure and quality in imaging of scanned materials, image is colored based on density and shows organic, inorganic and mixed materials in different tones. It is designed with the latest technology to scan medium and large packages on a pallet. This x-ray machine is one of the most suitable solutions for use in high security facilities such as freight companies, terminals, airports, customs and general cargo.

X-RAY GENERATOR & IMAGE PERFORMANCE

Steel Penetration ¹	: 50 mm guaranteed; 52 mm typical
Wire Resolution ¹	: 36 AWG guaranteed; 38 AWG typical
Anode Voltage	: 200kV, operating at 200kV
Tube Current	: 1,2 mA
Beam Direction	: Horizontally Sideward
Article Separation	: Low Z, Medium Z, High Z to 0,5 Z Accuracy
Cooling	: Oil and forced air cooling

COMPUTER SPECIFICATIONS

Processor	: Intel® Core™ i5 (or superior)
Monitor	: 21,5" Flat (or superior)
Memory	: 4 GB RAM (or superior)
Video Card	: 2 GB (or superior)
Hard Drive	: 1 TB (or superior)
USB Port	: 6 port (or superior)
Operating System	: Linux

OPTIONAL FEATURES

Barcode Reader System
External Camera Archiving
Remote Viewing Station
Recheck Station
Network Supervisory System (NSS)
Remote Access Connection
Smart Card Login

STANDARD FEATURES

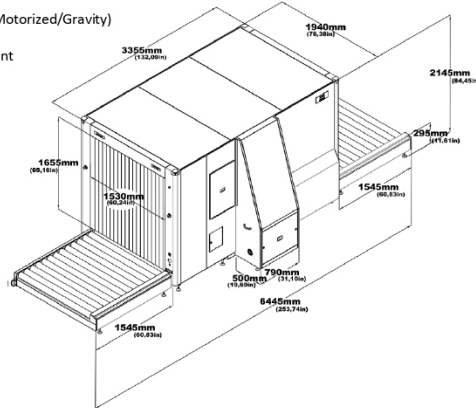
Programmable Function Keys
Parcel Counter
Date and Time Display
Virtual Threat Image Projection (TIP)
Organic/Inorganic Threat Alarm
Operator Training Program (OTP)
UPS (For Computer Supply)
Multi Languages
Self Diagnosis
Generator Timer
Automatic Stop Conveyor

STANDARD IMAGE PROCESSING FEATURES

Perfect View (Detail Enhancement) (PV)
Edge Enhancement (EE)
Pseudo Color (PS)
Organic Materials (OM)
Inorganic Materials (IM)
Black & White (B/W)
Inverse Colors (IN)
High Penetration (HP)
Variable Edge Enhancement (+E -E)
Variable Density (+D -D)
Variable Gamma (+G -G)
Variable Color Separation (+C -C)
Zoom (64x)
Sniper Zoom
Recall Previous Images
Manual/Automatic Archive
Annotated Archive
Multi Energy Viewer (4 - 6 Color)
Atomic Number Display (Z Value)

OPTIONAL ACCESSORIES

External UPS (For system)
Operator Console (Open-Closed/Adjustable/I-stand)
21,5" - 27" Flat Monitor
Input / Output Rollers
Test Kit (STP/ASTM)
Protective Cover
Search Table
Tray Return System (Motorized/Gravity)
Inclined Conveyor
Ultrasonic Rat Repellent
Radiation Meter



PROMEDI DIŐ TİCARET LTD ŐTİ

HQ:Yıldız Caddesi,Sungurlar İŐ Merkezi 45/1,BeŐiktaŐ,İstanbul-Turkey, 34353

Phones: +90-212 259 2254 Faxes: +90-212 261 6339, Cell: +90-532 446 2929

e-mail: halukpromedi@gmail.com , haluk@promedi.biz, promedi@superonline.com

V.D. BEŐİKTAŐ 733 010 4891, www.promedi.biz

Branch: Free Trade Zone Istanbul Ataturk Airport:www.isbi.com.tr

Istanbul İhtisas Serbest Bolgesi,

Yesilkoy SB Mah,ISBI Plaza A Blok No:1127, Bakirkoy,İstanbul,Turkey 34149

From the Founder&Managing Director
Haluk Karaoguz

XRC 150-165DV

XRC 150-165DV x-ray baggage scanner facilitates the operators use thanks to the various image processing functions, hazard alarm, advanced computer technology and the best in class software with its **200kV** generator source. It makes it extraordinarily easy to detect threats such as cutting tools, explosive narcotics and reduces the rate of error. It provides unique image quality by showing the scanned organic, inorganic and mixed items in different colors thanks to its multi-diode structure and quality in imaging of scanned objects. It is manufactured with **dual view (DV)** technology. Thanks to its 2 generator sources, it provides high resolution and detailed imaging in horizontal and vertical angles. The visuals can be accessed with a single scan without the need to re-place the packages in a different orientation. Thus, hidden objects in the luggage are detected more easily and quickly. It is designed with the latest technology to scan medium and large packages on a pallet. XRC 150-165DV is one of the most suitable solutions for use in high security facilities such as freight companies, terminals, airports, customs and general cargo.

X-RAY GENERATOR & IMAGE PERFORMANCE

Steel Penetration †	: 50 mm guaranteed; 52 mm typical
Wire Resolution †	: 36 AWG guaranteed; 38 AWG typical
Anode Voltage	: 200kV, operating at 200kV
Tube Current	: 1,2 mA
Beam Direction	1st Generator : Vertically downward 2nd Generator : Horizontally sideward
Article Separation	Low Z, Medium Z, High Z to 0,5 Z Accuracy
Cooling	Oil and forced air cooling

COMPUTER SPECIFICATIONS

Processor	: Intel® Core™ i5 (or superior)
Monitor	: 21,5" Flat (or superior)
Memory	: 4 GB RAM (or superior)
Video Card	: 2 GB (or superior)
Hard Drive	: 1 TB (or superior)
USB Port	: 6 port (or superior)
Operating System	: Linux

OPTIONAL FEATURES

Barcode Reader System
External Camera Archiving
Remote Viewing Station
Recheck Station
Network Supervisory System (NSS)
Remote Access Connection
Smart Card Login

STANDARD FEATURES

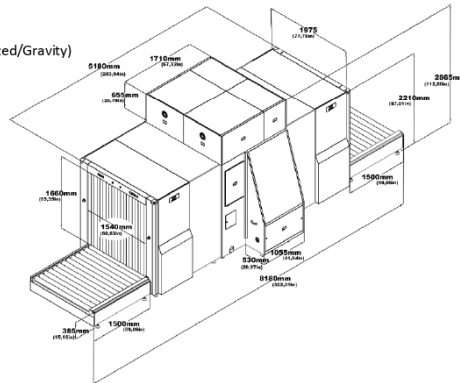
Programmable Function Keys
Parcel Counter
Date and Time Display
Virtual Threat Image Projection (TIP)
Organic/Inorganic Threat Alarm
Operator Training Program (OTP)
UPS (For Computer Supply)
Multi Languages
Self Diagnosis
Generator Timer
Automatic Stop Conveyor

OPTIONAL ACCESSORIES

External UPS (For system)
Operator Console (Open-Closed/Adjustable/I-stand)
21,5"- 27" Flat Monitor
Input / Output Rollers
Test Kit (STP/ASTM)
Protective Cover
Search Table
Tray Return System (Motorized/Gravity)
Inclined Conveyor
Ultrasonic Rat Repellent
Radiation Meter

STANDARD IMAGE PROCESSING FEATURES

Perfect View (Detail Enhancement) (PV)
Edge Enhancement (EE)
Pseudo Color (PS)
Organic Materials (OM)
Inorganic Materials (IM)
Black & White (B/W)
Inverse Colors (IN)
High Penetration (HP)
Variable Edge Enhancement (+E -E)
Variable Density (+D -D)
Variable Gamma (+G -G)
Variable Color Separation (+C -C)
Zoom (64x)
Sniper Zoom
Recall Previous Images
Manual/Automatic Archive
Annotated Archive
Multi Energy Viewer (4 - 6 Color)
Atomic Number Display (Z Value)



PROMEDI DIŐ TİCARET LTD ŐTİ

HQ:Yıldız Caddesi,Sungurlar İŐ Merkezi 45/1,BeŐiktaŐ,İstanbul-Turkey, 34353

Phones: +90-212 259 2254 Faxes: +90-212 261 6339, Cell: +90-532 446 2929

e-mail: halukpromedi@gmail.com , haluk@promedi.biz, promedi@superonline.com

V.D. BEŐİKTAŐ 733 010 4891, www.promedi.biz

Branch: Free Trade Zone Istanbul Ataturk Airport:www.isbi.com.tr

Istanbul İhtisas Serbest Bolgesi,

YeŐilkoy SB Mah,ISBI Plaza A Blok No:1127, Bakirkoy,Istanbul,Turkey 34149

From the Founder&Managing Director
Haluk Karaoguz

XRC 150-165DV (320kV)

With its **320kV** generator XRC 150-165DV x-ray baggage scanner provides superior performance and facilitates the operators use thanks to the various image processing functions, hazard alarm, advanced computer technology and the best in class software. It provides exceptional ease in detecting threats such as cutting tools, explosives narcotics and minimizes the error rate. Thanks to its multi-diode structure and quality in imaging of scanned objects /materials), image is colored based on density and shows organic, inorganic and mixed materials in different tones. It is manufactured with **dual view (DV)** technology. Thanks to its 2 generator sources, it provides high resolution and detailed imaging in horizontal and vertical angles. The images can be accessed with a single scan without the need to re-place the packages in a different orientation. Thus, hidden objects in the luggage are detected more easily and quickly. Designed with the latest technology to scan medium and large packages on a pallet. **XRC 150-165DV (320kV)** is one of the most suitable solutions for use in high security facilities such as freight companies, terminals, airports, customs and general cargo.

X-RAY GENERATOR & IMAGE PERFORMANCE

Steel Penetration ¹	: 70 mm guaranteed; 72 mm typical
Wire Resolution ¹	: 36 AWG guaranteed; 38 AWG typical
Anode Voltage	: 320kV, operating at 320kV
Tube Current	: 1,0 mA
Beam Direction	1st Generator : Vertically downward 2nd Generator : Horizontally sideward
Article Separation	: Low Z, Medium Z, High Z to 0,5 Z Accuracy
Cooling	: Oil and forced air cooling

COMPUTER SPECIFICATIONS

Processor	: Intel® Core™ i5 (or superior)
Monitor	: Dual 21,5" Flat (or superior)
Memory	: 4 GB RAM (or superior)
Video Card	: 2 GB (or superior)
Hard Drive	: 1 TB (or superior)
USB Port	: 6 port (or superior)
Operating System	: Linux

OPTIONAL FEATURES

Barcode Reader System
External Camera Archiving
Remote Viewing Station
Recheck Station
Network Supervisory System (NSS)
Remote Access Connection
Smart Card Login

STANDARD FEATURES

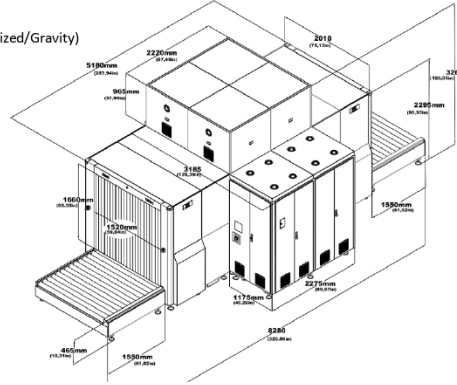
Programmable Function Keys
Parcel Counter
Date and Time Display
Virtual Threat Image Projection (TIP)
Organic/Inorganic Threat Alarm
Operator Training Program (OTP)
UPS (For Computer Supply)
Multi Languages
Self Diagnosis
Generator Timer
Automatic Stop Conveyor

OPTIONAL ACCESSORIES

External UPS (For system)
Operator Console (Open-Closed/Adjustable/I-stand)
21,5"- 27" Flat Monitor
Input / Output Rollers
Test Kit (STP/ASTM)
Protective Cover
Search Table
Tray Return System (Motorized/Gravity)
Inclined Conveyor
Ultrasonic Rat Repellent
Radiation Meter

STANDARD IMAGE PROCESSING FEATURES

Perfect View (Detail Enhancement) (PV)
Edge Enhancement (EE)
Pseudo Color (PS)
Organic Materials (OM)
Inorganic Materials (IM)
Black & White (B/W)
Inverse Colors (IN)
High Penetration (HP)
Variable Edge Enhancement (+E -E)
Variable Density (+D -D)
Variable Gamma (+G -G)
Variable Color Separation (+C -C)
Zoom (64x)
Sniper Zoom
Recall Previous Images
Manual/Automatic Archive
Annotated Archive
Multi Energy Viewer (4 -6 Color)
Atomic Number Display (Z Value)



PROMEDI DIŐ TİCARET LTD ŐTİ

HQ:Yıldız Caddesi,Sungurlar İŐ Merkezi 45/1,BeŐiktaŐ,İstanbul-Turkey, 34353

Phones: +90-212 259 2254 Faxes: +90-212 261 6339, Cell: +90-532 446 2929

e-mail: halukpromedi@gmail.com , haluk@promedi.biz , promedi@superonline.com

V.D. BEŐİKTAŐ 733 010 4891, www.promedi.biz

Branch: Free Trade Zone Istanbul Ataturk Airport:www.isbi.com.tr

Istanbul İhtisas Serbest Bolgesi,

YeŐilkoy SB Mah,ISBI Plaza A Blok No:1127, Bakirkoy,İstanbul,Turkey 34149

From the Founder&Managing Director
Haluk Karaoguz

XRC 180-180

XRC 180-180 x-ray baggage scanner facilitates the operators use thanks to the various image processing functions, hazard alarm, advanced computer technology and the best in class software and provides excellent performance thanks to its **200kV** generator. It makes it extraordinarily easy to detect threats such as cutting tools, explosive narcotics and reduces the rate of error.

Thanks to its multi-diode structure and quality in imaging of scanned materials, image is colored based on density and shows organic, inorganic and mixed materials in different tones.

It is an efficient and a powerful device for scanning medium and large packages on a pallet. Institutions ensure that packages are inspected in places where inspection is required this x-ray device is one of the most suitable solutions for use in high security facilities such as freight companies, terminals, airports, customs and general cargo.

X-RAY GENERATOR & IMAGE PERFORMANCE

Steel Penetration ¹	: 50 mm guaranteed; 52 mm typical
Wire Resolution ¹	: 36 AWG guaranteed; 38 AWG typical
Anode Voltage	: 200kV, operating at 200kV
Tube Current	: 1,2 mA
Beam Direction	: Horizontally sideward
Article Separation	: Low Z, Medium Z, High Z to 0,5 Z Accuracy
Cooling	: Oil and forced air cooling

COMPUTER SPECIFICATIONS

Processor	: Intel® Core™ i5 (or superior)
Monitor	: 21,5" Flat (or superior)
Memory	: 4 GB RAM (or superior)
Video Card	: 2 GB (or superior)
Hard Drive	: 1 TB (or superior)
USB Port	: 6 port (or superior)
Operating System	: Linux

OPTIONAL FEATURES

Barcode Reader System
External Camera Archiving
Remote Viewing Station
Recheck Station
Network Supervisory System (NSS)
Remote Access Connection
Smart Card Login

OPTIONAL ACCESSORIES

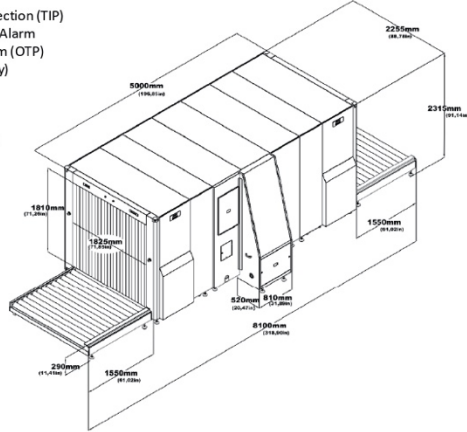
External UPS (For system)
Operator Console (Open-Closed/Adjustable/I-stand)
21,5" - 27" Flat Monitor
Input / Output Rollers
Test Kit (STP/ASTM)
Protective Cover
Search Table
Tray Return System (Motorized/Gravity)
Inclined Conveyor
Ultrasonic Rat Repellent
Radiation Meter

STANDARD FEATURES

Programmable Function Keys
Parcel Counter
Date and Time Display
Virtual Threat Image Projection (TIP)
Organic/Inorganic Threat Alarm
Operator Training Program (OTP)
UPS (For Computer Supply)
Multi Languages
Self Diagnosis
Generator Timer
Automatic Stop Conveyor

STANDARD IMAGE PROCESSING FEATURES

Perfect View (Detail Enhancement) (PV)
Edge Enhancement (EE)
Pseudo Color (PS)
Organic Materials (OM)
Inorganic Materials (IM)
Black & White (B/W)
Inverse Colors (IN)
High Penetration (HP)
Variable Edge Enhancement (+E -E)
Variable Density (+D -D)
Variable Gamma (+G -G)
Variable Color Separation (+C -C)
Zoom (64x)
Sniper Zoom
Recall Previous Images
Manual/Automatic Archive
Annotated Archive
Multi Energy Viewer (4 - 6 Color)
Atomic Number Display (Z Value)



PROMEDI DIŐ TİCARET LTD ŐTİ

HQ:Yıldız Caddesi,Sungurlar İŐ Merkezi 45/1,BeŐiktaŐ,İstanbul-Turkey, 34353

Phones: +90-212 259 2254 Faxes: +90-212 261 6339, Cell: +90-532 446 2929

e-mail: halukpromedi@gmail.com , haluk@promedi.biz, promedi@superonline.com

V.D. BEŐİKTAŐ 733 010 4891, www.promedi.biz

Branch: Free Trade Zone Istanbul Ataturk Airport:www.isbi.com.tr

Istanbul İhtisas Serbest Bolgesi,

Yesilkoy SB Mah,ISBI Plaza A Blok No:1127, Bakirkoy,Istanbul,Turkey 34149

From the Founder&Managing Director
Haluk Karaoguz

XRC 180-180DV (320kV)

American Transportation Security Administration (TSA) ACSTL qualified x-ray scanner, XRC 180-180DV provides superior performance with its 320kV generator and also it is designed with **dual view** (DV) technology. Thanks to its 2 generator sources, it provides high resolution and detailed imaging in horizontal and vertical angles. The images can be accessed with a single scan without the need to re-place the packages in a different orientation. Thus, hidden objects in the luggage are detected more easily and quickly. It facilitates the operators use thanks to the various image processing functions, hazard alarm, advanced computer technology and the best in class software. It provides exceptional ease in detecting threats such as cutting tools, explosives narcotics and minimizes the error rate. Thanks to its multi-diode structure and quality in imaging of scanned materials, image is colored based on density and shows organic, inorganic and mixed materials in different tones. It is designed with the latest technology to scan medium and large packages on a pallet and it is one of the most suitable solutions for use in high security facilities such as freight companies, terminals, airports, customs and general cargo.

X-RAY GENERATOR & IMAGE PERFORMANCE

Steel Penetration ¹	: 70 mm guaranteed; 72 mm typical
Wire Resolution ¹	: 36 AWG guaranteed; 38 AWG typical
Anode Voltage	: 320kV, operating at 320kV
Tube Current	: 1,0 mA
Beam Direction	1st Generator : Vertically downward 2nd Generator : Horizontally sideward
Article Separation	: Low Z, Medium Z, High Z to 0,5 Z Accuracy
Cooling	: Oil and forced air cooling

COMPUTER SPECIFICATIONS

Processor	: Intel® Core™ i5 (or superior)
Monitor	: Dual 21,5" Flat (or superior)
Memory	: 4 GB RAM (or superior)
Video Card	: 2 GB (or superior)
USB Port	: 1 TB (or superior)
USB Port	: 6 port (or superior)
Operating System	: Linux

OPTIONAL FEATURES

Barcode Reader System
External Camera Archiving
Remote Viewing Station
Recheck Station
Network Supervisory System (NSS)
Remote Access Connection
Smart Card Login

OPTIONAL ACCESSORIES

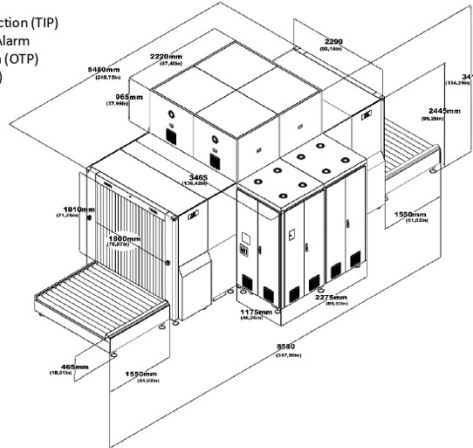
External UPS (For system)
Operator Console (Open-Closed/Adjustable/I-stand)
21,5"- 27" Flat Monitor
Input / Output Rollers
Test Kit (STP/ASTM)
Protective Cover
Search Table
Tray Return System (Motorized/Gravity)
Inclined Conveyor
Ultrasonic Rat Repellent
Radiation Meter

STANDARD FEATURES

Programmable Function Keys
Parcel Counter
Date and Time Display
Virtual Threat Image Projection (TIP)
Organic/Inorganic Threat Alarm
Operator Training Program (OTP)
UPS (For Computer Supply)
Multi Languages
Self Diagnosis
Generator Timer
Automatic Stop Conveyor

STANDARD IMAGE PROCESSING FEATURES

Perfect View (Detail Enhancement) (PV)
Edge Enhancement (EE)
Pseudo Color (PS)
Organic Materials (OM)
Inorganic Materials (IM)
Black & White (B/W)
Inverse Colors (IN)
High Penetration (HP)
Variable Edge Enhancement (+E -E)
Variable Density (+D -D)
Variable Gamma (+G -G)
Variable Color Separation (+C -C)
Zoom (64x)
Sniper Zoom
Recall Previous Images
Manual/Automatic Archive
Annotated Archive
Multi Energy Viewer (4 - 6 Color)
Atomic Number Display (Z Value)



PROMEDI DIŐ TİCARET LTD ŐTİ

HQ:Yıldız Caddesi,Sungurlar İŐ Merkezi 45/1,BeŐiktaŐ,İstanbul-Turkey, 34353

Phones: +90-212 259 2254 Faxes: +90-212 261 6339, Cell: +90-532 446 2929

e-mail: halukpromedi@gmail.com , haluk@promedi.biz, promedi@superonline.com

V.D. BEŐİKTAŐ 733 010 4891, www.promedi.biz

Branch: Free Trade Zone Istanbul Ataturk Airport:www.isbi.com.tr

Istanbul İhtisas Serbest Bolgesi,

Yesilkoy SB Mah,ISBI Plaza A Blok No:1127, Bakirkoy,Istanbul,Turkey 34149